

General Information

Pressure Gauges

The maximum working pressures of standard gauges should not exceed 75% of full scale for constant pressure applications, or 66% of full scale for pulsating pressures. Normal overpressures allowed are: 1.25 times FSV for ranges up to 1,000 psi; 1.15 times FSV for ranges between 1,000 and 10,000 psi; 1.10 times FSV for higher pressures. Dial face includes both psi (black) and bar (red) scales. PSI only faces may be available. To see standard increments and dial faces, see pages 127-128.

Glycerine is used as standard in most Dynamic fluid-filled gauges. Neither glycerine nor silicone should be used in applications involving oxygen, chlorine, nitric acid, hydrogen peroxide or other oxidizing agents.

All Dynamic gauges come with a standard polycarbonate lens. Safety glass or tempered glass covers are available with minimum order. Dynamic filled gauges include a dual relief valve/blowout disc for operating safety.

Test Points

The need for preventative maintenance of hydraulic systems in general has added to the use of test points throughout the system. This need is answered by the installation of a range of test points, plugs and probes, which can be connected under full system pressure to 6000 psi. Where the introduction of test points is needed, and the hydraulic system uses flexible hydraulic hoses, Dynamic has a range of Hydra-Test hose couplings fitted with test points. For full product data consult pages 16-20.

Valves & Flow Dividers

New products have been recently added to Dynamic's extensive inventory of valves and flow dividers, including a 6-way, 2-station Selector Valve and a Spool Flow Divider.

Gauges, Valves & Accessories TABLE OF CONTENTS

Gauges

Service Filter Gauges	5
CDS Series - Dry	6-7
CF Series - Glycerine-filled	8-9
PDLC Series - 4" Glycerine-filled	10
CFC Series - 4" Glycerine-filled	11
PDSS Series - All Stainless Steel	12-13
PDTG Series - Test Gauges	14
Pressure Gauge Accessories	15

Test Point Plugs, Probes & Hose Assemblies

Test Point Plugs & Probes	16-17
Hose Couplings	18
Hose Assemblies & End Fittings	19-20

Valves & Flow Dividers

Check Valves	21
Ball Valves & Accessories	22-26
Log Splitter Control Valve	27
Needle Valves	28-29
Flow Control Valves	30-31
Flow Dividers	32-33
Selector Valve	34

Reservoir Accessories

Screw-On Air Breathers	35
Filter Filler Breathers	36

1 1/2" & 2" Color-coded Service Filter Gauges

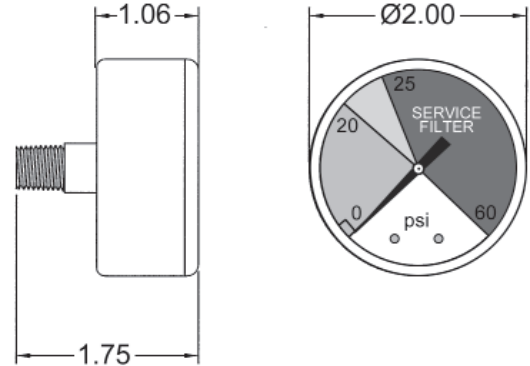
Model DCI-20

Features

- Steel Case
- Phosphor Bronze Bourdon Tube
- Standard Range: 0-60 psi
- 1/8" NPT Bronze Connection
- Polycarbonate Lens
- Dry Gauge
- *Liquid-filled Available w/ SS Case*



Installation Data



Ordering Example:

Model	Options
DCI-20	-

Model	Options
DCI-20 = 2" Service Filter Gauge	LF = Liquid-filled <i>*special order</i>

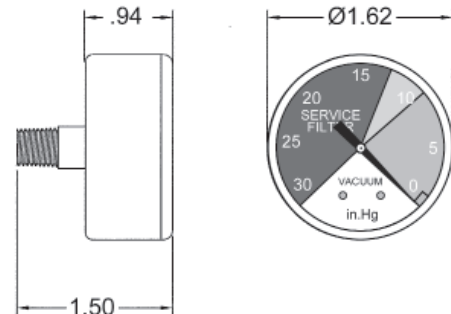
Model DGV-10

Features

- Steel Case
- Phosphor Bronze Bourdon Tube
- Vacuum Range: 30"HG - 0 psi
- 1/8" NPT Bronze Connection
- Polycarbonate Lens
- Dry Gauge
- Center Back & Stem Mounts Available



Installation Data



Ordering Example:

Model	Style
DGV-10	A

Model	Style
DGV-10 = 1.5" Vacuum Service Filter Gauge	A = Stem D = Center Back

Additional pressure ranges and color breaks available with minimum order.



FLUID COMPONENTS, INC.

CDS Series Dry Gauges

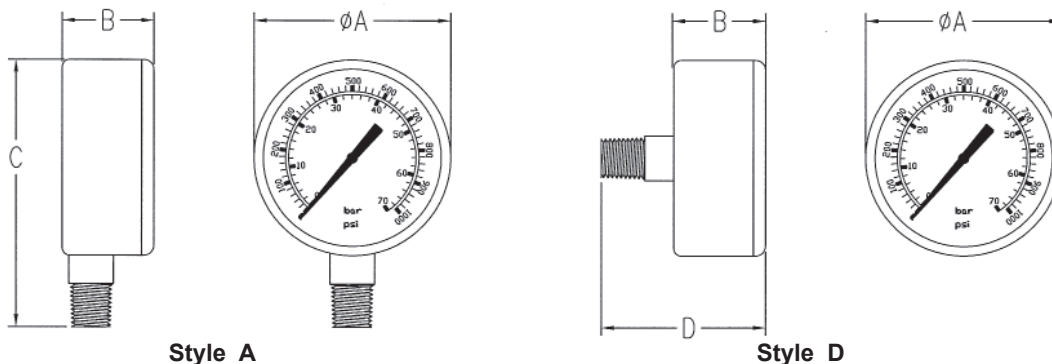
1 1/2" , 2" and 2 1/2" • Stem & Center Back Mounts

Features

- Steel Case
- Phosphor Bronze Bourdon Tube
- Bronze Connection
- Polycarbonate Lens
- Built-in Snubber
- Range: Vacuum to 6,000 psi
- Dual Scale: psi & bar
- Accuracy: ± 1.6% FSD
- Temperature Range: -40° to 180° F
- Certificate of Accuracy Available (see page 15 for details)



Installation Data



Size	A	B	C	D	Port
1 1/2"	1.62"	.90"	2.26"	1.50"	1/8" NPT
2"	2.00"	1.08"	2.81"	1.80"	1/4" NPT*
2 1/2"	2.45"	1.05"	3.22"	1.75"	1/4" NPT*

* 1/8" NPT available w/ min. order. Add -8N to end of model #.

Ordering Example:

Model: **CDS** - Size: **1** Type: **P** - Range: **210** Style: **D**

Model	Size	Type	Pressure Range	Style
CDS = Dry Gauge	*4 = 1 1/2" dia. 5 = 2" dia. 1 = 2 1/2" dia.	C = Compound	002 = 30" Hg - 30 psi**	A = Stem D = Center Back
		V = Vacuum	000 = 30" Hg - 0 psi	
		P = Pressure	001 = 15 psi	
		070 = 1000 psi		
		002 = 30 psi		
		100 = 1500 psi		
		004 = 60 psi		
		140 = 2000 psi		
		007 = 100 psi		
		210 = 3000 psi		
	010 = 160 psi			
	280 = 4000 psi			
	015 = 200 psi			
	350 = 5000 psi			
	020 = 300 psi			
	420 = 6000 psi			
	040 = 600 psi			

Some size/range combinations may only be available by special order.

* 1 1/2" dia. is limited to 5000 psi

**Additional compound ranges may be available by special order.

Logo and custom gauge faces available with minimum 250 piece order. Call for details.

CDS Series Dry Gauges

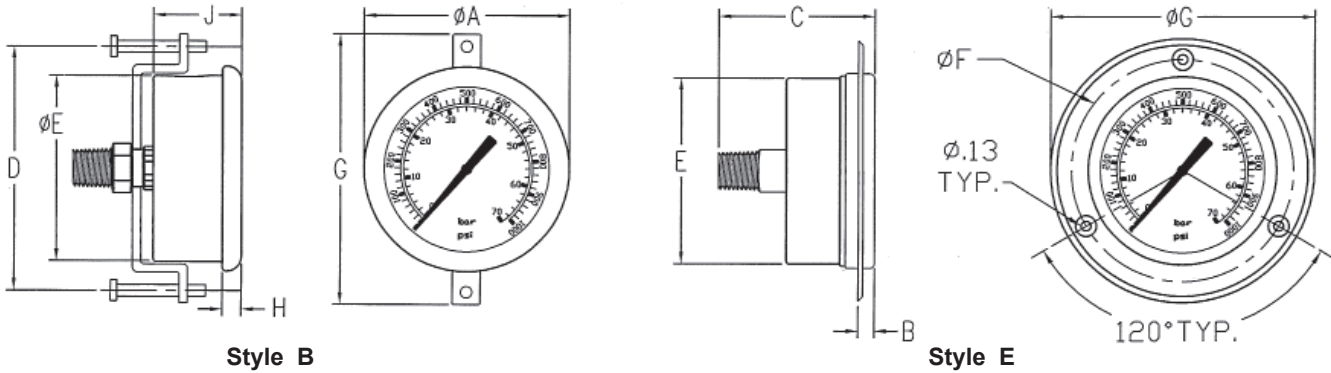
2" and 2 1/2" • Panel Clamp & Flange Mounts

Features

- Steel Case, Rolled Bezel
- Phosphor Bronze Bourdon Tube
- Bronze Connection
- Polycarbonate Lens
- Built-in Snubber
- Range: Vacuum to 6,000 psi
- Dual Scale: psi & bar
- Accuracy: $\pm 1.6\%$ FSD
- Temperature Range: -40° to 180° F
- Certificate of Accuracy Available (see page 15 for details)



Installation Data



Size	A	B	C	D	E	F	G	H	J	Port
2"	2.25"	.20"	1.75"	2.28"	2.05"	2.45"	2.80"	.21"	1.15"	1/4" NPT*
2 1/2"	2.68"	.20"	1.75"	3.14"	2.40"	2.85"	3.29"	.247"	1.17"	1/4" NPT*

* 1/8" NPT available w/ min. order. Add -8N to end of model #.

Ordering Example:

Model	Size	Type	Range	Style
CDS	5	P	210	E

Model	Size	Type	Pressure Range	Style	
CDS = Dry Gauge	5 = 2" dia. 1 = 2 1/2" dia.	C = Compound V = Vacuum P = Pressure	002 = 30" Hg - 30 psi** 000 = 30" Hg - 0 psi 001 = 15 psi 002 = 30 psi 004 = 60 psi 007 = 100 psi 010 = 160 psi 015 = 200 psi 020 = 300 psi 040 = 600 psi	070 = 1000 psi 100 = 1500 psi 140 = 2000 psi 210 = 3000 psi 280 = 4000 psi 350 = 5000 psi 420 = 6000 psi	B = Panel Clamp E = Panel Flange

Some size/range combinations may only be available by special order.

**Additional compound ranges may be available by special order.

Logo and custom gauge faces available with minimum 250 piece order. Call for details.



FLUID COMPONENTS, INC.

CF Series Gauges

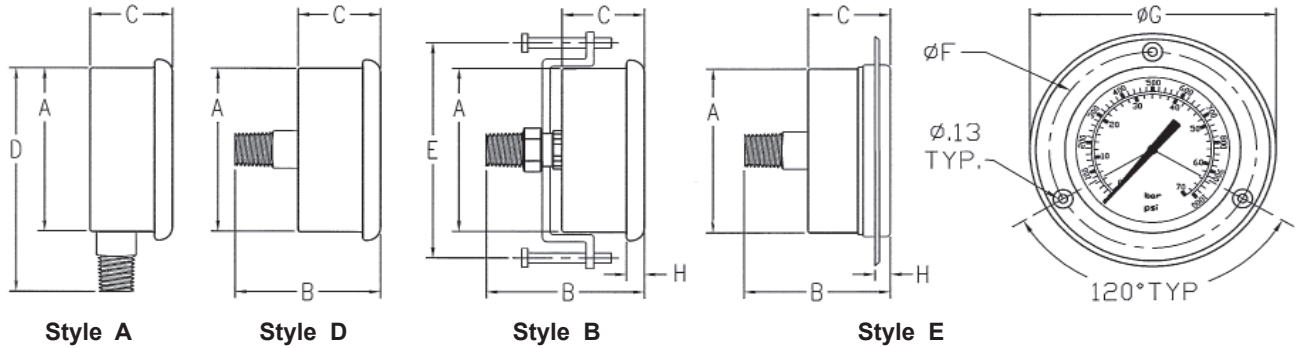
1 1/2", 2" and 2 1/2" • Glycerine-Filled

Features

- 304 Stainless Steel Case & Bezel
- Phosphor Bronze Bourdon Tube
- Bronze Connection
- Polycarbonate Lens
- Built-in Snubber
- Range: Vacuum to 10,000 psi
- Dual Scale: psi & bar
- Accuracy: ± 1.6% FSD
- Temperature Range: -40° to 180°F
- Certificate of Accuracy Available (see page 15 for details)



Installation Data



Size	A	B	C	D	E	F	G	H	Port Size
1 1/2"	1.58"	1.98"	1.02"	2.47"	2.30"	-	-	.20"	1/8" NPT
2"	1.98"	2.21"	1.19"	3.05"	2.28"	2.40"	2.76"	.24"	1/4" NPT*
2 1/2"	2.40"	2.25"	1.18"	3.45"	3.18"	2.90"	3.42"	.25"	1/4" NPT*

* 1/8" NPT available w/ min. order. Add -8N to end of model #.

Ordering Example: Model **CF** Size **1** Type **P** Range **- 350** Style **A**

Model	Size	Type	Pressure Range	Style
CF =	*4 = 1 1/2" dia.	C = Compound	002 = 30" Hg - 30 psi**	A = Stem
Glycerine-filled	5 = 2" dia.	V = Vacuum	000 = 30" Hg - 0 psi	B = Panel Clamp
Gauge	1 = 2 1/2" dia.	P = Pressure	001 = 15 psi	D = Center Back
			002 = 30 psi	E = Panel Flange
			004 = 60 psi	
			007 = 100 psi	
			010 = 160 psi	
			015 = 200 psi	
			020 = 300 psi	
			040 = 600 psi	
			070 = 1000 psi	
			100 = 1500 psi	
			140 = 2000 psi	
			210 = 3000 psi	
			280 = 4000 psi	
			350 = 5000 psi	
			420 = 6000 psi	
			700 = 10,000 psi	

Some size/range combinations may only be available by special order.

*Note: 1 1/2" dia. is limited to 6000 psi
 **Additional compound ranges may be available by special order.

Logo and custom gauge faces available with minimum 100 piece order. Call for details.

CF Series (SAE) Gauges

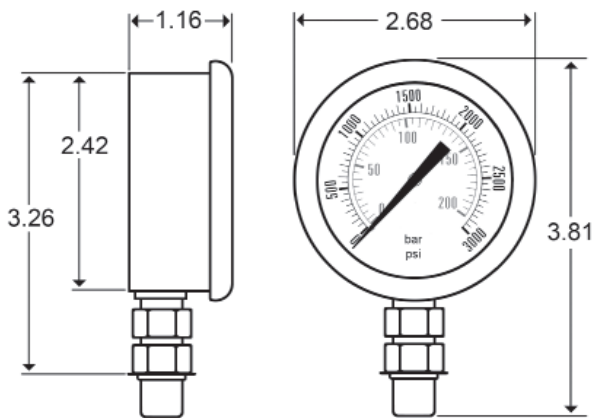
2 1/2" • Glycerine-Filled • SAE Swivel Mount

Features

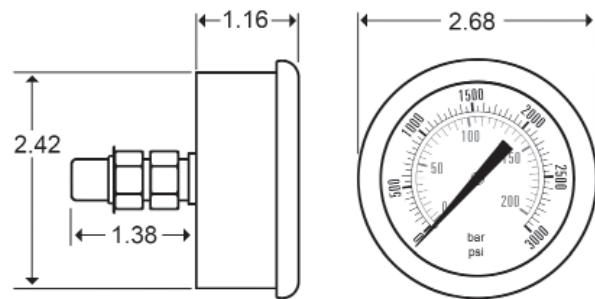
- 304 Stainless Steel Case & Bezel
- Phosphor Bronze Bourdon Tube
- SAE 7/16-20 Bronze Connection
- Polycarbonate Lens
- Built-in Snubber
- Range: Vacuum to 10,000 psi
- Dual Scale: psi & bar
- Accuracy: $\pm 1.6\%$ FSD
- Temperature Range: -40° to 180° F
- Certificate of Accuracy Available
(see page 15 for details)



Installation Data



Style A



Style D

Ordering Example:

Model	Size	Type	Range	Style	Port Size
CF	1	P	210	A	SAE

Model	Size	Type	Pressure Range	Style	Port Size	
CF = Glycerine-filled Gauge	1 = 2 1/2"	C = Compound V = Vacuum P = Pressure	002 = 30" Hg - 30 psi** 000 = 30" Hg - 0 psi 001 = 15 psi 002 = 30 psi 004 = 60 psi 007 = 100 psi 010 = 160 psi 015 = 200 psi 020 = 300 psi 040 = 600 psi	070 = 1000 psi 100 = 1500 psi 140 = 2000 psi 210 = 3000 psi 280 = 4000 psi 350 = 5000 psi 420 = 6000 psi 700 = 10,000 psi	A = Stem D = Center Back*	7/16-20 SAE

*Special order - minimum quantities may apply.

*Additional compound ranges may be available by special order.

Logo and custom gauge faces available with minimum 100 piece order. Call for details.



FLUID COMPONENTS, INC.

PDLC Series Gauges

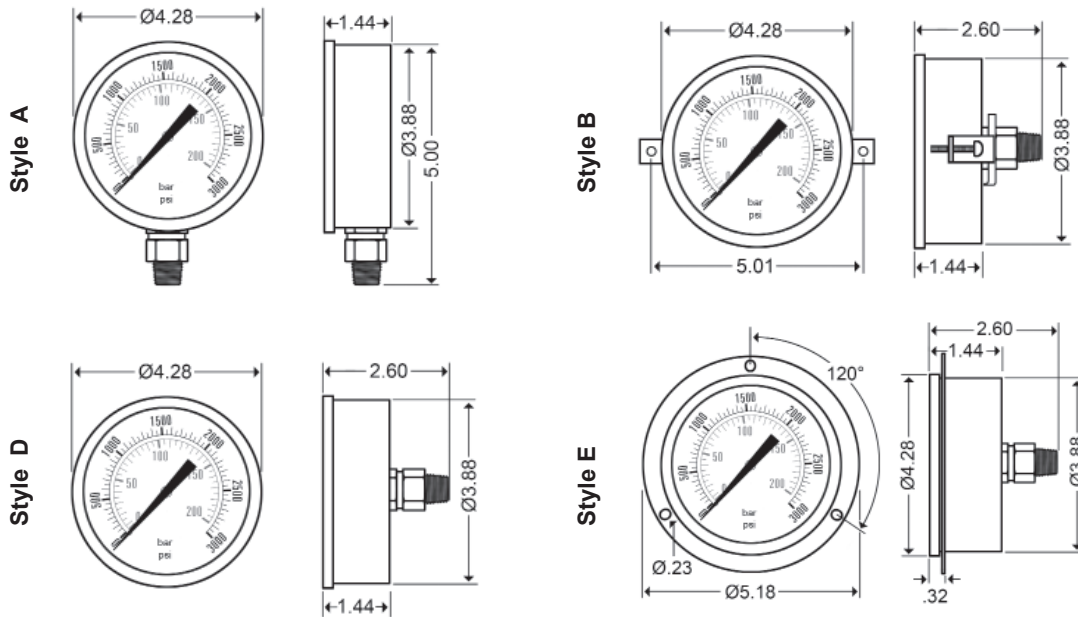
4" • Low-Cost Glycerine-Filled Gauges

Features

- 304 Stainless Steel Case & Bezel
- Phosphor Bronze Bourdon Tube
- Bronze 1/4" NPT Connection
- Polycarbonate Lens
- Built-in Snubber
- Range: 15 psi to 10,000 psi
- Dual Scale: psi & bar
- Accuracy: ± 2% FSD
- Temperature Range: -40° to 180°F
- Certificate of Accuracy Available
(see page 15 for details)



Installation Data



1/4" NPT is standard connection for all PDLC gauges.

Ordering Example:

Model	Size	Type	Range	Style
PDLC	2	P	070	A

Model	Size	Type	Pressure Range	Style	
PDLC = Low cost, glycerine-filled 4" gauge	2 = 4" dia.	P = Pressure	001 = 15 psi 002 = 30 psi 004 = 60 psi 007 = 100 psi 010 = 160 psi 015 = 200 psi 020 = 300 psi 040 = 600 psi	070 = 1000 psi 100 = 1500 psi 140 = 2000 psi 210 = 3000 psi 280 = 4000 psi 350 = 5000 psi 420 = 6000 psi 700 = 10,000 psi	A = Stem B = Panel Clamp D = Center Back E = Panel Flange

*Some pressure range / mount configurations may require special order.

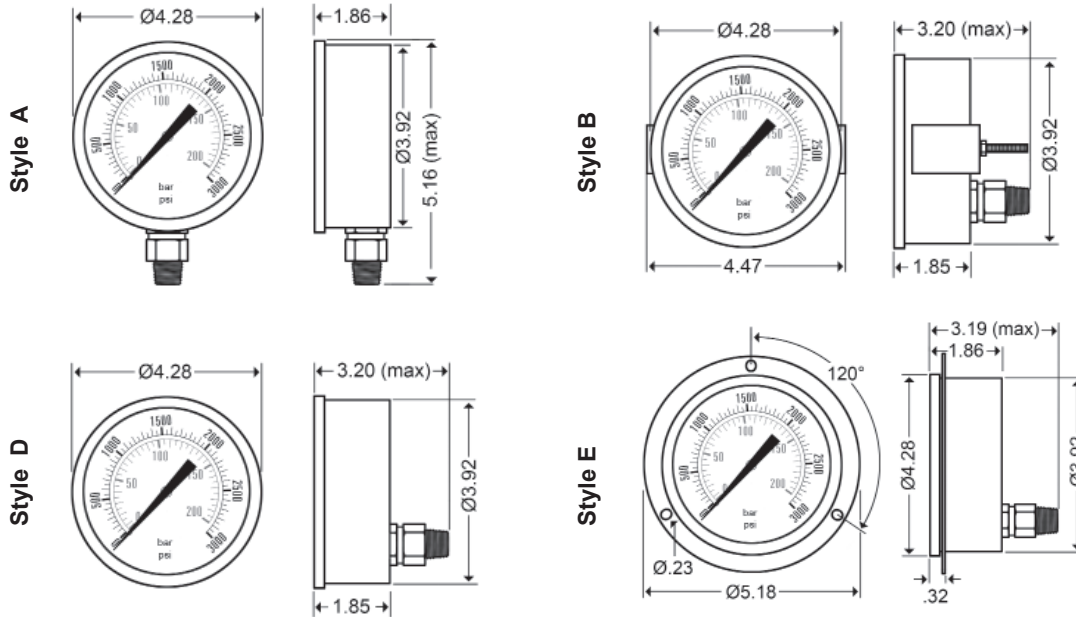
CFC Series Gauges 4" • Glycerine-Filled Gauges



Features

- 304 Stainless Steel Case & Bezel
- Phosphor Bronze Bourdon Tube
- Bronze connection
- Polycarbonate Lens
- Built-in Relief Valve & Snubber
- Range: Vacuum to 10,000 psi
- Dual Scale: psi & bar
- Accuracy: $\pm 1\%$ FSD
- Temperature Range: -40° to 180° F
- Certificate of Accuracy Available
(see page 15 for details)

Installation Data



1/4" NPT is standard connection for 600 psi and below; 1/2" NPT is standard for 1000 psi and above

Ordering Example:

Model	Size	Type	Range	Style
CFC	2	P	- 350	A

Model	Size	Type	Pressure Range	Style
CFC = Glycerine-filled 4" Gauge	2 = 4" dia.	C = Compound V = Vacuum P = Pressure	002 = 30" Hg - 30 psi** 000 = 30" Hg - 0 psi 001 = 15 psi 002 = 30 psi 004 = 60 psi 007 = 100 psi 010 = 160 psi 015 = 200 psi 020 = 300 psi 040 = 600 psi 070 = 1000 psi 100 = 1500 psi 140 = 2000 psi 210 = 3000 psi 280 = 4000 psi 350 = 5000 psi 420 = 6000 psi 700 = 10,000 psi	A = Stem B = Panel Clamp D = Lower Back E = Panel Flange

**Additional compound ranges may be available by special order.



FLUID COMPONENTS, INC.

PDSS Series Gauges

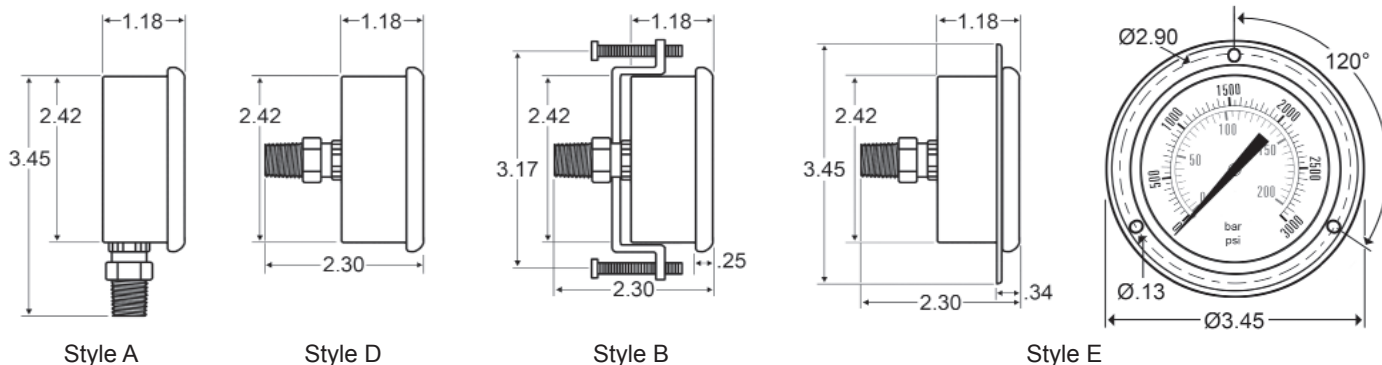
2 1/2" • All Stainless Steel Gauges

Features

- 304 Stainless Steel Case
- 316 Stainless Steel Connection
- 316 Stainless Steel Bourdon Tube
- Built-in Snubber
- Polycarbonate Lens
- Liquid-Filled & Dry Options
- Ambient Temp: -13° F to 150°F
- Max. Process Temp: 750°F
- Range: Vacuum to 15,000 psi
- Dual Scale: psi & bar
- Accuracy: ± 1.6% FSD
- Certificate of Accuracy Available (see page 15 for details)



Installation Data



1/4" NPT is the standard connection for all 2 1/2" PDSS gauges.

Ordering Example: **Model** **Size** **Type** **Range** **Style** **Options**

PDSS - **1** **P** - **040** **A** - **001**

Model	Size	Type	Pressure Range	Style	Options
PDSS = All Stainless Steel Gauges	1 = 2 1/2" dia.	C = Compound V = Vacuum P = Pressure	002 = 30" Hg -30 psi** 000 = 30" Hg - 0 psi 001 = 15 psi 100 = 1500 psi 002 = 30 psi 140 = 2000 psi 004 = 60 psi 210 = 3000 psi 007 = 100 psi 280 = 4000 psi 010 = 160 psi 350 = 5000 psi 015 = 200 psi 420 = 6000 psi 020 = 300 psi 700 = 10,000 psi 040 = 600 psi 800 = 15,000 psi 070 = 1000 psi	A = Stem B = Panel Clamp D = Center Back E = Panel Flange	001 = Glycerine-filled 002 = Dry*

* Special Order
**Additional compound ranges may be available by special order.

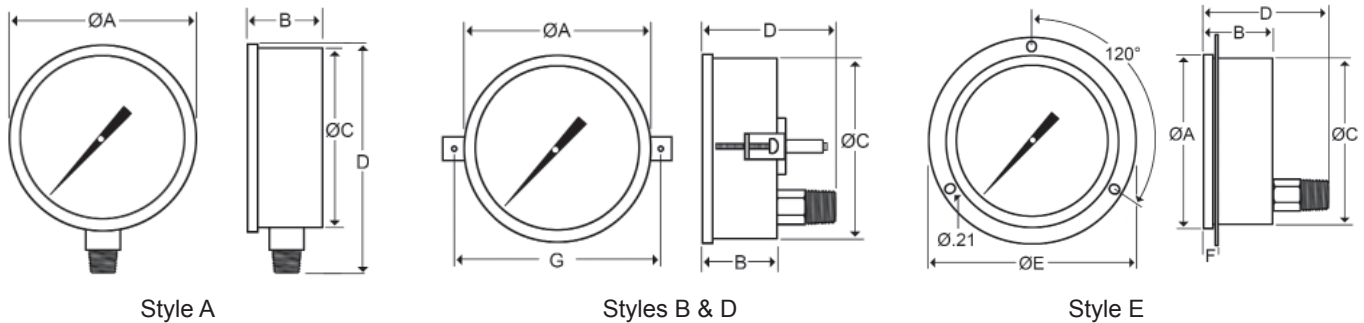
PDSS Series Gauges 4" • All Stainless Steel Gauges

Features

- 304 Stainless Steel Case
- 316 Stainless Steel Connection
- 316 Stainless Steel Bourdon Tube
- Built-in Snubber
- Polycarbonate Lens
- Liquid-Filled & Dry Options
- Range: Vacuum to 30,000 psi
- Single Scale: psi
- Ambient Temp: -13° F to 150° F
- Max. Process Temp: 750° F
- Accuracy: ± 1% FSD
- Certificate of Accuracy Available
(see page 15 for details)



Installation Data



Style	A	B	C	D*	E	F	G
A - Stem	4.28"	1.84"	3.87"	5.30" (1/4" NPT) 5.36" (1/2" NPT)	-	-	-
B - Panel Clamp	4.28"	1.87"	3.87"	3.10" (1/4" NPT) 3.20" (1/2" NPT)	-	-	5.00"
D - Lower Back	4.28"	1.87"	3.87"	3.10" (1/4" NPT) 3.20" (1/2" NPT)	-	-	-
E - Panel Flange	4.28"	1.87"	3.87"	3.10" (1/4" NPT) 3.20" (1/2" NPT)	5.13"	.27"	-

*1/4" NPT is standard connection for 600 psi and below; 1/2" NPT is standard for 1000 psi and above

Ordering Example: **PDSS** - **2** **P** - **070** **D** - **001**

Model	Size	Type	Pressure Range	Style	Options
PDSS =	2 = 4" dia.	C = Compound	002 = 30" Hg -30 psi**	A = Stem	001 = Glycerine-filled
All Stainless	3* = 6" dia.	V = Vacuum	000 = 30" Hg - 0 psi	B = Panel Clamp	002* = Dry
Steel Gauges		P = Pressure	001 = 15 psi	D = Lower Back	
			002 = 30 psi	E = Panel Flange	
			004 = 60 psi		
			007 = 100 psi		
			010 = 160 psi		
			015 = 200 psi		
			020 = 300 psi		
			040 = 600 psi		
			070 = 1000 psi		
			100 = 1500 psi		
			140 = 2000 psi		
			210 = 3000 psi		
			280 = 4000 psi		
			350 = 5000 psi		
			420 = 6000 psi		
			700 = 10,000 psi		
			800 = 15,000 psi		
			900 = 20,000 psi		
			950 = 30,000 psi		

* Special Order

**Additional compound ranges may be available by special order.

Features

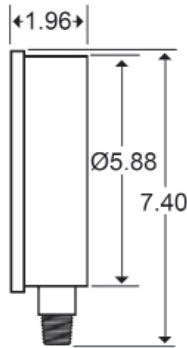
- Accuracy: ± 0.50 FSD
- 304 Stainless Steel Case
- 316 Stainless Steel Bourdon Tube
- 1/4" NPT Connection
- Mirrored Dial
- Polycarbonate Lens
- Adjustable Pointer is Micrometer Knife Type
- Reinforced Movement is AISI 316
- Maximum Working Pressure: 75% FSD
- Temperature Range: 60°F to 150°F
- Certificates of Calibration Available



Installation Data



Style A



Style B

Ordering Example:

Model	Size	Type	Range	Style	Options
PDTG	- 3	P	- 210	A	- 01

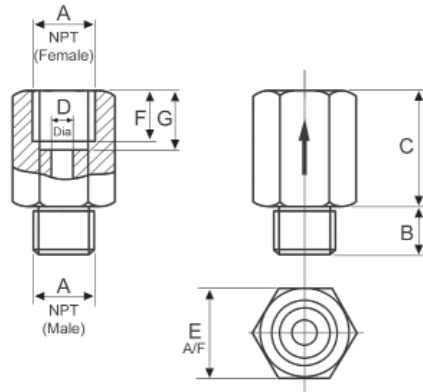
Model	Size	Type	Pressure Range	Style	Options
PDTG = Test Gauges	3 = 6" dia.	C = Compound V = Vacuum P = Pressure	002 = 30" Hg -30 psi** 000 = 30" Hg - 0 psi 001 = 15 psi 002 = 30 psi 004 = 60 psi 007 = 100 psi 010 = 160 psi 015 = 200 psi 020 = 300 psi 040 = 600 psi 070 = 1000 psi	A = Stem B = Panel Clamp	Omit = Standard 01 = Shatterproof Lens
			100 = 1500 psi 140 = 2000 psi 210 = 3000 psi 280 = 4000 psi 350 = 5000 psi 420 = 6000 psi 700 = 10,000 psi 800 = 15,000 psi 900 = 20,000 psi		

**Additional compound ranges may be available.

Gauge Snubbers

By fitting with a snubber, a pressure gauge is protected from harmful pressure surges and pulsations which would otherwise overload the gauge mechanism.

The 1/4" NPT snubber has a helically formed oilway with a small orifice through which fluid must pass to reach the gauge. This provides high resistance to smooth out surges and pulses, yet allows rapid responses and steady gauge readings.



Model #	A	B	C	D	E	F	G	Material	Rated Pressure
PDD-4B	1/4" NPT	.52"	.94"	.20"	.71"	.43"	.55"	Brass	10,000 psi

Gauge Protectors

Dynamic recommends the use of our Buna N rubber housing gauge protector on our standard 2 1/2" stem mount & center back mount gauges (style "A" or "D"). This saves damage to the gauge should it be dropped or bumped.

Order by Model #: GP-40N



Certificates of Accuracy

Dynamic offers in-house generated certificates of accuracy for all gauges up to 10,000 psi. Gauges are tested against a calibrated PDTG Test Gauge with .6% accuracy and the pressure of both gauges is documented at predetermined increments from 0 psi to maximum pressure then back to 0 psi. Customers are provided with a certificate documenting all pressure readings, as well as the serial number which matches the gauge tested.

Certificates of Accuracy produced at Dynamic Fluid Components do not conform with ANSI or NIST standards. Should this additional level certification be required, the customer would need to obtain it independently from a third-party source.

To order, add "Certificate of Accuracy" as a separate line item.
There is a set fee per gauge for these certificates.



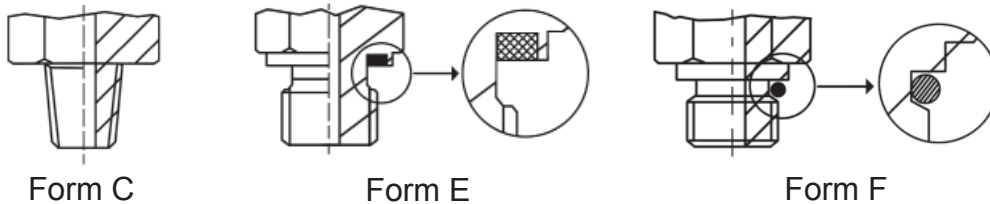
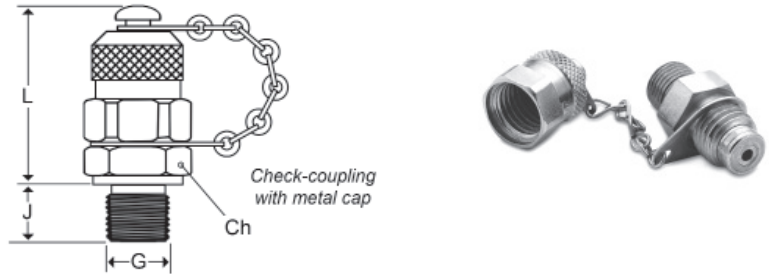
FLUID COMPONENTS, INC.

D1620 Series - M16 x 2.0

Test Point Plugs

Features

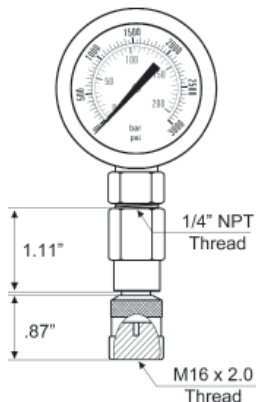
- Connects Under Full Pressure
- Rated at 9000 psi
- All Steel Construction
- Buna Seals are Standard



Model #	Form	Max. Pressure	Ch.	J	G
D1620-01-18NPT	C	5800 psi	.67"	.37"	1/8" NPT
D1620-01-14NPT	C	9000 psi	.67"	.55"	1/4" NPT
D1620-01-04SAE	F	9000 psi	.67"	.43"	04-SAE
D1620-01-06SAE	F	9000 psi	.75"	.47"	06-SAE
D1620-01-08SAE	F	9000 psi	.87"	.55"	08-SAE
D1620-01-M10X1	E	9000 psi	.67"	.33"	M10X1
D1620-01-M12x1.5	E	9000 psi	.67"	.47"	M12x1.5
D1620-01-M14x1.5	E	9000 psi	.75"	.47"	M14x1.5
D1620-01-M16x1.5	E	9000 psi	.87"	.47"	M16x1.5
D1620-01-18BSPP	E	9000 psi	.67"	.32"	1/8" BSPP
D1620-01-14BSPP	E	9000 psi	.75"	.47"	1/4" BSPP
D1620-01-38BSPP	E	9000 psi	.87"	.47"	3/8" BSPP

DGA1620 Series - M16 x 2.0

Test Point Probe



DGA1620 Test Point Probes are designed to connect directly to the D1620 Test Point Plugs (above). When fitted with the desired pressure gauge, the system pressure is released into the gauge's bourdon tube as the probe opens the test point valve. It can be connected and disconnected under pressure. This provides a precise means to monitor system pressure without turning the system off.

Order by Model #: DGA1620 Test Point Probe*

Gauge Protectors

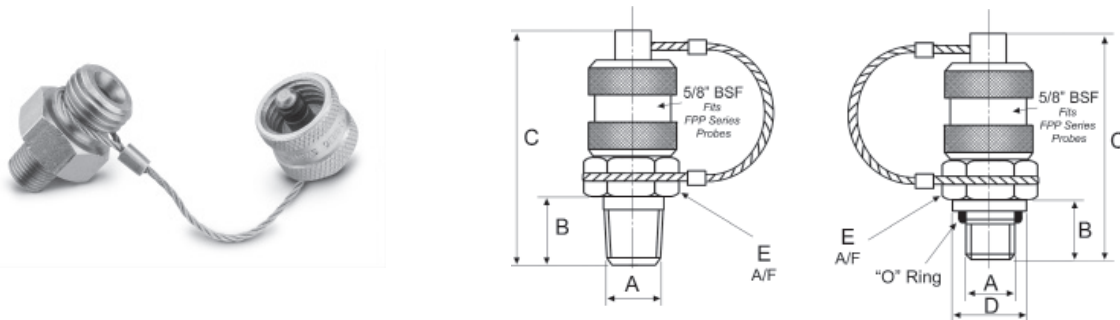
Dynamic recommends the use of a gauge protector Buna N rubber housing when using a test point probe. This saves damage to the gauge should it be dropped or bumped during the test proceedings. Gauge Protectors can be ordered using model #: GP-40N. See page 15.

*Test Point Probe does not include gauge.

Features

- Dynamic Special Design
- Rated at 6000 psi
- Buna Seals are Standard
- Connects Under Full Pressure
- All Steel Construction

Dynamic test point plugs and probes are designed to monitor hydraulic system conditions without system shutdown to connect the pressure gauge. These test plugs are fitted as a “standard” into the mobile or industrial application where eventual system monitoring is required.



Model #'s and Dimensional Information

Model #	A Thread	B	C	D	E	Max. Torque	Weight	Seal Kits	
								Buna-N*	Viton*
FTP-02N	1/8" NPT	.39"	1.81"	--	.75"	180 lbs	.15 lbs	SK-115-N	SK-115
FTP-04N	1/4" NPT	.56"	1.87"	--	.82"	180 lbs	.17 lbs	SK-115-N	SK-115
FTP-04S	7/16-20 SAE	.36"	1.81"	.71"	.75"	180 lbs	.17 lbs	SK-115-N	SK-115

*Special Order Only



FPP Series Test Point Probe

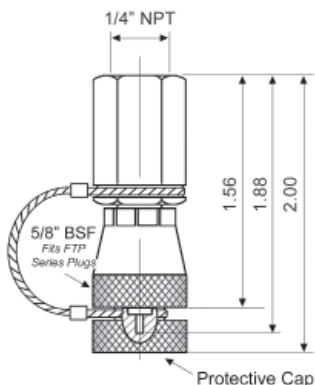
FPP Test Point Probes are designed to connect directly to the FTP Test Point Plugs (above). When fitted with the desired pressure gauge, the system pressure is released into the gauge's bourdon tube as the probe opens the test point valve. It can be connected and disconnected under pressure. This provides a precise means to monitor system pressure without turning the system off.

Order Using Model #: FPP-04N

For complete model with a liquid-filled gauge, add the gauge model # to the probe model # (i.e. FPP-04N-CF1P-210A is a plug assembly fitted with a 2 1/2", 0-3000 psi stem mount gauge). See page 8 for 2 1/2" pressure gauge data.

Gauge Protectors

Dynamic recommends the use of a gauge protector Buna N rubber housing when using a test point probe. This saves damage to the gauge should it be dropped or bumped during the test proceedings. Gauge Protectors can be ordered using model #: GP-40N. See page 15.





FLUID COMPONENTS, INC.

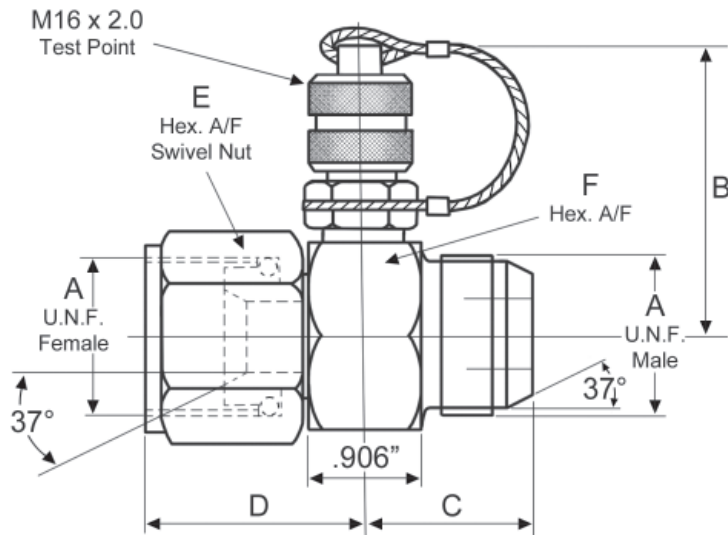
Hydra-Test J.I.C. Hose Couplings

Features

- 6,000 psi Working Pressure
- Fitted with Hydra-Test Point Plug
- Can be Used With Direct or Remote Test Probes
- For J.I.C. 37° Hose Sizes: 7/16" - 1 7/8" UNF
- Can be Connected and Disconnected at Full System Pressure

Install Hydra-Test J.I.C. Hose Couplings between the female swivel nut of the flexible hose and the fixed male connection. The integrated test point may be used with Dynamic test probes and/or test kits to obtain random pressure and temperature checks during servicing or fault finding. Fluid sampling probes are also compatible.

All probes may be connected and disconnected at full pressure without fluid loss or ingress of dirt.



Model #'s and Dimensional Information

Model #	A	B	C	D	E	F	Weight	Seal Kit	
								Nitrile*	Viton*
HSP1040-4	7/16"-20 UNF	2.01"	1.00"	1.22"	.56"	1.12"	.29 lbs	SK114N*	SK114V*
HSP1040-5	1/2"-20 UNF	2.01"	1.00"	1.30"	.62"	1.12"	.31 lbs		
HSP1040-6	9/16"-20 UNF	2.01"	1.01"	1.36"	.69"	1.12"	.33 lbs		
HSP1040-8	3/4"-16 UNF	2.01"	1.11"	1.33"	.87"	1.12"	.35 lbs		
HSP1040-10	7/8"-14 UNF	2.14"	1.23"	1.51"	1.00"	1.37"	.55 lbs		
HSP1040-12	1 1/16"-12 UNF	2.14"	1.31"	1.64"	1.25"	1.37"	.66 lbs		
HSP1040-16	1 5/16"-12 UNF	2.30"	1.36"	1.72"	1.50"	1.69"	.95 lbs		
HSP1040-20	1 5/8"-12 UNF	2.61"	0.96"	1.77"	2.05"	2.00"	1.71 lbs		
HSP1040-24	1 7/8"-12 UNF	2.98"	1.08"	1.89"	2.20"	2.22"	1.98 lbs		

*Special Order Only

Dynamic hose assemblies are designed for use with Dynamic test plugs, pipe couplings and standpipe adaptors. Together, they facilitate pressure readings on a random basis throughout a hydraulic system. Probes may be connected or disconnected with the system at full working pressure without loss of oil or ingress of dirt. Use of test points saves the installation of multiple pipework and gauges. Hose assemblies are also available fitted with a pressure gauge.

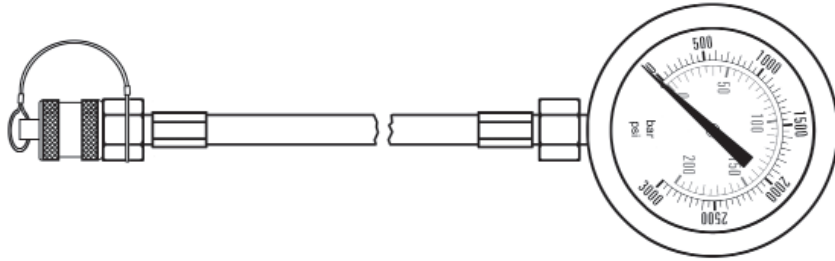


Table 1

Hose Lengths		
12"	24"	36"
48"	60"	72"

Please specify in inches if other lengths are required. Minimum length is 12".

Ordering Example:

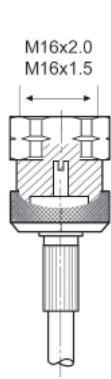
Model End Fitting Length End Fitting
DHA - **FTP** - **12** - **4F**

Model	End Fitting	Hose Length	End Fitting
DHA = Dynamic Hose Assembly	See codes on next page	Length in inches (see Table 1)	See codes on next page

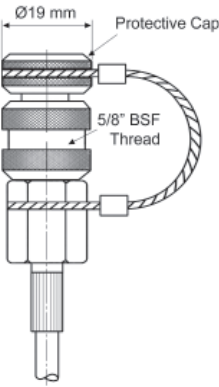
Note: If you require a gauge assembled to the hose assembly, please add the gauge number to the end of the part number.

Hydra-Test End Fittings

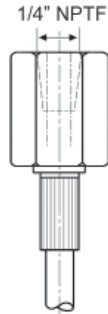
- Optional End Fittings
- Up to 9000 psi Working Pressure
- Choice of Hose Lengths
- Passivated Steel Components



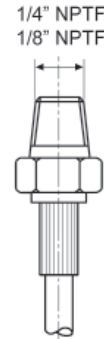
**HSP
HSP1.5**



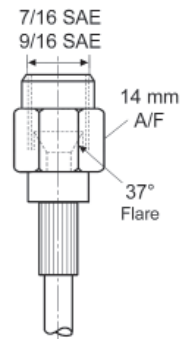
Code FTP



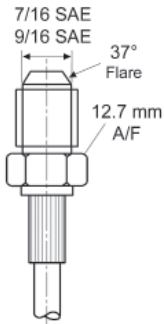
Code 4F



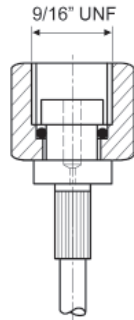
**Code 4M
Code 2M**



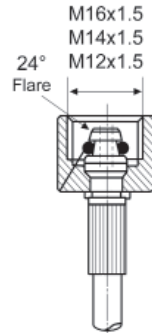
**Code 7/16F
Code 9/16F**



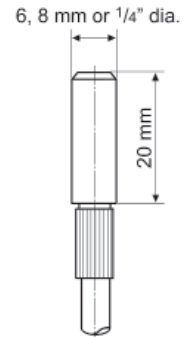
**Code 7/16M
Code 9/16M**



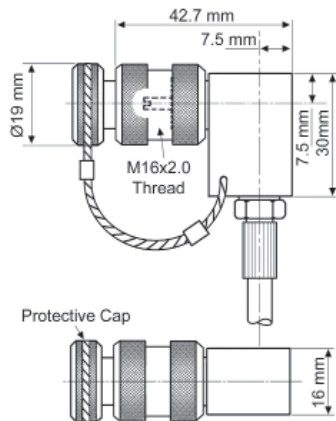
Code 9/16C



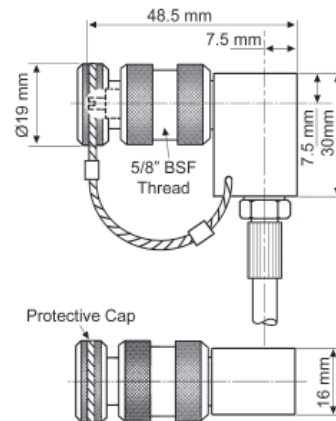
	<i>Heavy</i>	<i>Light</i>
Code	M16H	M16L
Code	M14H	M14L
Code	M12H	M12L



**Code 6MSP
Code 8MSP
Code 4MSP**



Code HSP-90

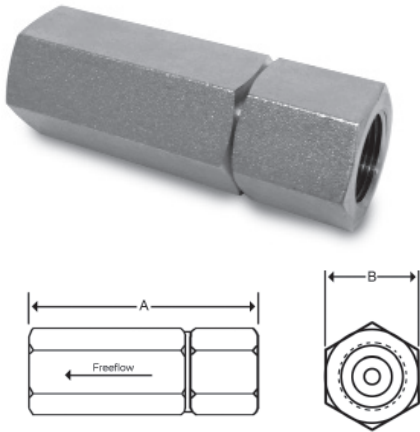


Code FTP-90

Model HSP - Hard Seat

Features

- Carbon Steel Construction
- 5 lb or 65 lb Cracking Pressure
- Metal to Metal Seal



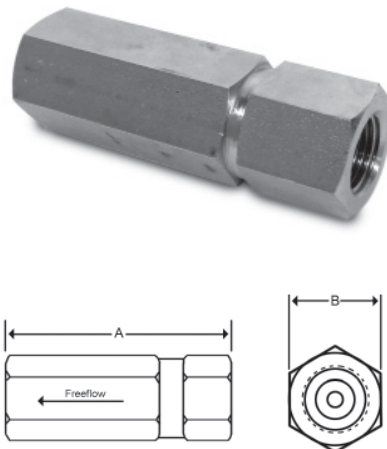
Model #'s & Dimensional Information

Model #	Thread Size	A	B	Rated Flow (gpm)	Rated Pressure (psi)	Weight (lbs)
HSP-1000-2-5 or 65	1/4" NPT	2.44"	.87"	6	5000	.35
HSP-1000-3-5 or 65	3/8" NPT	2.87"	1.00"	10	5000	.44
HSP-1000-4-5 or 65	1/2" NPT	3.76"	1.26"	18	5000	.77
HSP-1000-6-5 or 65	3/4" NPT	4.30"	1.50"	30	5000	1.54
HSP-1000-8-5 or 65	1" NPT	5.12"	1.69"	36	5000	2.43
HSP-1000-10-5 or 65	1 1/4" NPT	5.56"	2.40"	50	3000	6.95
HSP-1000-12-5 or 65	1 1/2" NPT	5.56"	2.56"	60	3000	7.28
HSP-1001-4-5 or 65	7/16"-20 SAE	2.56"	.87"	6	5000	.35
HSP-1001-6-5 or 65	9/16"-20 SAE	2.91"	.94"	10	5000	.44
HSP-1001-8-5 or 65	3/4"-16 SAE	3.74"	1.18"	18	5000	.77
HSP-1001-12-5 or 65	1 1/16"-12 SAE	4.29"	1.50"	30	3000	1.54
HSP-1001-16-5 or 65	1 5/16"-12 SAE	5.00"	1.81"	36	3000	2.43
HSP-1001-20-5 or 65	1 5/8"-12 SAE	5.20"	2.41"	50	3000	6.95
HSP-1001-24-5 or 65	1 7/8"-12 SAE	5.20"	2.56"	60	3000	7.28

Model VU - Soft Seat

Features

- Carbon Steel Construction
- 7 lb or 70 lb Cracking Pressure
- Buna-N Seal



Model #'s & Dimensional Information

Model #	Thread Size	A	B	Rated Flow (gpm)	Rated Pressure (psi)	Weight (lbs)
VU14F-7 or 70	1/4" NPT	2.83"	.87"	10.6	10,000	.35
VU38F-7 or 70	3/8" NPT	3.30"	1.03"	13.2	10,000	.44
VU12F-7 or 70	1/2" NPT	3.78"	1.18"	18.5	7,250	.77
VU34F-7 or 70	3/4" NPT	4.28"	1.50"	26.4	7,250	1.54
VU1F-7 or 70	1" NPT	4.96"	1.81"	39.6	7,250	2.43
VU114F-7 or 70	1 1/4" NPT	5.12"	2.17"	52.8	4,350	6.95
VU112F-7 or 70	1 1/2" NPT	5.31"	2.56"	66.0	4,350	7.28
VU2F-7 or 70	2" NPT	5.91"	2.95"	79.3	4,350	9.52

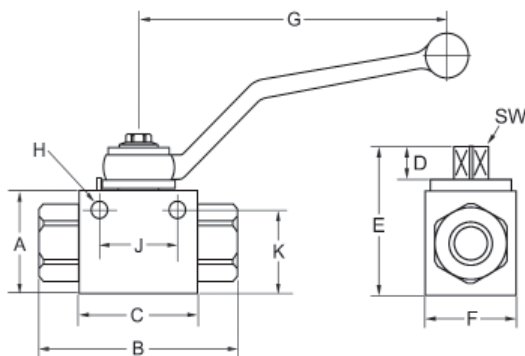


FLUID COMPONENTS, INC.

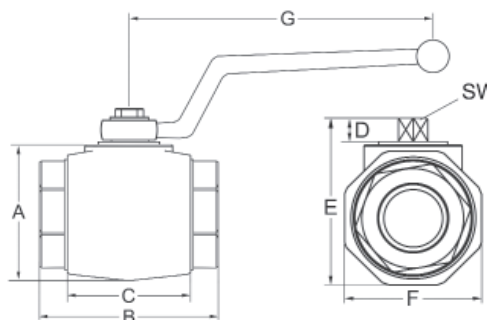
DE2/DB2 High Pressure Series 2-way Ball Valves

Features

- Rugged Carbon Steel Construction
- Mounting Holes on DE models
- 1/4" - 2" Sizes - NPT and SAE
- Full and Reduced Port
- Blow-Out Proof Stems
- Standard Seals: Buna-N;
Other Seals by Special Order
- Chrome-plated Steel Ball
- Max Pressure: Up to 7250 psi
- Max Temperature: 215°F



DE Model



DB Model

Model #'s & Dimensional Information

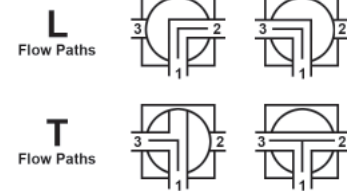
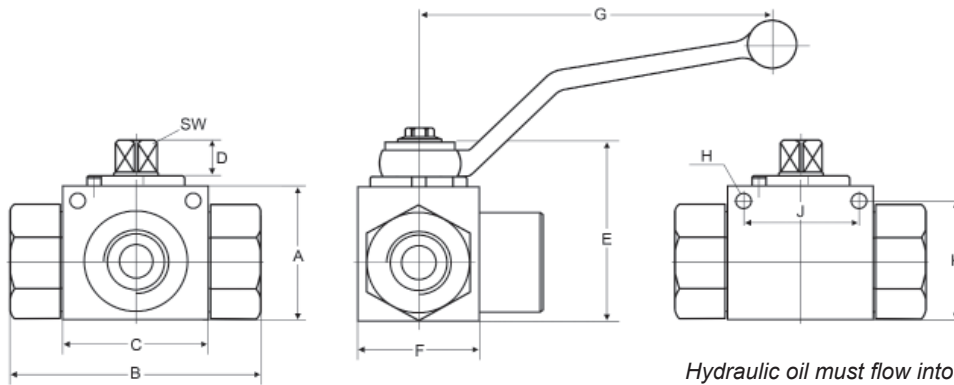
Model #	Thread	psi	Port	A	B	C	D	E	F	G	H	J	K	SW	Weight
DE2-14NPT	1/4" NPT	7250	.24	1.27	2.71	1.45	.37	1.75	1.10	4.51	.18	1.03	1.05	.32	1.0 lb
DE2-38NPT	3/8" NPT	7250	.39	1.58	2.84	1.65	.41	2.08	1.27	4.51	.26	1.24	1.38	.32	1.5 lb
DE2-12NPT	1/2" NPT	7250	.51	1.58	3.27	1.90	.41	2.08	1.39	4.51	.26	1.46	1.38	.32	1.5 lb
DE2-34NPT	3/4" NPT	5800	.79	2.25	3.74	2.36	.55	2.97	1.90	6.38	.26	1.76	1.99	.39	3.5 lb
DE2-1-NPT	1" NPT	5000	.98	2.53	4.45	2.56	.55	3.25	2.25	6.38	.26	2.17	2.29	.39	5.0 lb
DE2-114R-NPT <i>Reduced Port</i>	1 1/4" NPT	5000	.98	2.53	4.73	2.56	.55	3.25	2.37	6.38	.26	2.17	2.29	.39	5.5 lb
DE2-112R-NPT <i>Reduced Port</i>	1 1/2" NPT	5000	.98	2.53	4.85	2.56	.55	3.25	2.37	6.38	.26	2.17	2.29	.39	6.0 lb
DB2-114-NPT	1 1/4" NPT	5000	1.26	3.43	4.72	3.31	.63	4.26	3.22	9.00	-	-	-	.51	9.0 lb
DB2-112-NPT	1 1/2" NPT	5000	1.57	3.92	5.13	3.58	.63	5.01	3.66	9.00	-	-	-	.51	11.5 lb
DB2-2-NPT	2" NPT	5000	1.97	4.52	5.52	3.94	.63	5.33	4.31	9.00	-	-	-	.51	15.5 lb

Model #	Thread	psi	Port	A	B	C	D	E	F	G	H	J	K	SW	Weight
DE2-04-SAE	7/16"-20	7250	.24	1.27	2.71	1.45	.37	1.75	1.10	4.51	.18	1.03	1.05	.32	1.0 lb
DE2-06-SAE	9/16"-18	7250	.39	1.58	2.84	1.65	.41	2.08	1.27	4.51	.26	1.24	1.38	.32	1.5 lb
DE2-08-SAE	3/4"-16	7250	.51	1.58	3.27	1.90	.41	2.08	1.39	4.51	.26	1.46	1.38	.32	1.5 lb
DE2-12-SAE	1 1/16"-12	5800	.79	2.25	3.74	2.36	.55	2.97	1.90	6.38	.26	1.76	1.99	.39	3.5 lb
DE2-16-SAE	1 5/16"-12	5000	.98	2.53	4.45	2.56	.55	3.25	2.25	6.38	.26	2.17	2.29	.39	5.0 lb
DE2-20R-SAE <i>Reduced Port</i>	1 5/8"-12	5000	.98	2.53	4.73	2.56	.55	3.25	2.37	6.38	.26	2.17	2.29	.39	5.5 lb
DE2-24R-SAE <i>Reduced Port</i>	1 7/8"-12	5000	.98	2.53	4.85	2.56	.55	3.25	2.37	6.38	.26	2.17	2.29	.39	6.0 lb
DB2-20-SAE	1 5/8"-12	5000	1.26	3.43	4.72	3.31	.63	4.26	3.22	9.00	-	-	-	.51	9.0 lb
DB2-24-SAE	1 7/8"-12	5000	1.57	3.92	5.13	3.58	.63	5.01	3.66	9.00	-	-	-	.51	11.5 lb
DB2-32-SAE	2 1/2"-12	5000	1.97	4.52	5.52	3.94	.63	5.33	4.31	9.00	-	-	-	.51	15.5 lb

DE3L/DB3L High Pressure Series 3-way Ball Valves

Features

- Rugged Carbon Steel Construction
- Mounting Holes on DE models
- 1/4" - 2" Sizes - NPT and SAE
- Full and Reduced Port
- Blow-Out Proof Stems
- Chrome-plated Steel Ball
- Standard Seals: Buna-N; other seals by special order
- Max Pressure: Up to 5880 psi
- Max Temperature: 215°F



Hydraulic oil must flow into valve through port "1".
The valve can only be sealed under one of two conditions:
1) Pressure at the closed port is zero;
2) Pressure at the closed port is lower than at the two open ports.

Model #'s & Dimensional Information

Model #	Thread	psi	Port	A	B	C	D	E	F	G	H	J	K	SW	Weight
DE3L-14-NPT	1/4" NPT	5880	.24	1.27	2.72	1.46	.38	1.78	1.11	4.51	.18	1.02	1.07	.32	1.0 lb
DE3L-38-NPT	3/8" NPT	5880	.39	1.58	2.84	1.65	.38	2.08	1.26	4.51	.26	1.23	1.38	.32	1.5 lbs
DE3L-12-NPT	1/2" NPT	5145	.51	1.58	2.28	1.90	.38	2.08	1.37	4.51	.26	1.46	1.38	.32	2.0 lbs
DE3L-34-NPT	3/4" NPT	5145	.79	2.27	3.74	2.36	.55	2.97	1.89	6.38	.26	1.77	2.01	.39	4.0 lbs
DE3L-1-NPT	1" NPT	5145	.98	2.52	4.45	2.56	.55	3.25	2.24	6.38	.26	2.17	2.27	.39	5.5 lbs
DE3L-114R-NPT <i>Reduced Port</i>	1 1/4" NPT	4500	.98	2.53	4.72	2.56	.55	3.25	2.36	6.38	.26	2.17	2.29	.39	6.0 lbs
DE3L-112R-NPT <i>Reduced Port</i>	1 1/2" NPT	4500	.98	2.53	4.84	2.56	.55	3.25	2.36	6.38	.26	2.17	2.29	.39	6.5 lbs
DB3L-114-NPT	1 1/4" NPT	4500	1.26	3.31	4.73	3.31	.67	4.14	2.96	9.00	-	-	-	.51	10.5 lbs
DB3L-112-NPT	1 1/2" NPT	4500	1.57	3.74	5.14	3.59	.67	4.61	3.35	9.00	-	-	-	.51	14.0 lbs
DB3L-2-NPT	2" NPT	4500	1.97	4.43	5.51	3.94	.67	5.18	4.14	9.00	-	-	-	.51	20.0 lbs

Model #	Thread	psi	Port	A	B	C	D	E	F	G	H	J	K	SW	Weight
DE3L-04 SAE	7/16"-20	5880	.24	1.27	2.72	1.46	.38	1.78	1.11	4.51	.18	1.02	1.07	.32	1.0 lb
DE3L-06 SAE	9/16"-18	5880	.39	1.58	2.84	1.65	.38	2.08	1.26	4.51	.26	1.23	1.38	.32	1.5 lbs
DE3L-08 SAE	3/4"-16	5145	.51	1.58	2.28	1.90	.38	2.08	1.37	4.51	.26	1.46	1.38	.32	2.0 lbs
DE3L-12 SAE	1 1/16"-12	5145	.79	2.27	3.74	2.36	.55	2.97	1.89	6.38	.26	1.77	2.01	.39	4.0 lbs
DE3L-16 SAE	1 5/16"-12	5145	.98	2.52	4.45	2.56	.55	3.25	2.24	6.38	.26	2.17	2.27	.39	5.5 lbs
DE3L-20R SAE <i>Reduced Port</i>	1 5/8"-12	4500	.98	2.53	4.72	2.56	.55	3.25	2.36	6.38	.26	2.17	2.29	.39	6.0 lbs
DE3L-24R SAE <i>Reduced Port</i>	1 7/8"-12	4500	.98	2.53	4.84	2.56	.55	3.25	2.36	6.38	.26	2.17	2.29	.39	6.5 lbs
DB3L-20 SAE	1 5/8"-12	4500	1.26	3.31	4.73	3.31	.67	4.14	2.96	9.00	-	-	-	.51	10.5 lbs
DB3L-24 SAE	1 7/8"-12	4500	1.57	3.74	5.14	3.59	.67	4.61	3.35	9.00	-	-	-	.51	14.0 lbs
DB3L-32 SAE	2 1/2"-12	4500	1.97	4.43	5.51	3.94	.67	5.18	4.14	9.00	-	-	-	.51	20.0 lbs

"L" Port Standard. "T" Port available by special order, with minimum quantity.



FLUID COMPONENTS, INC.

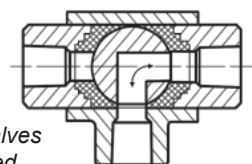
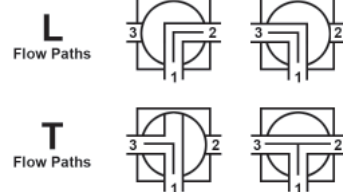
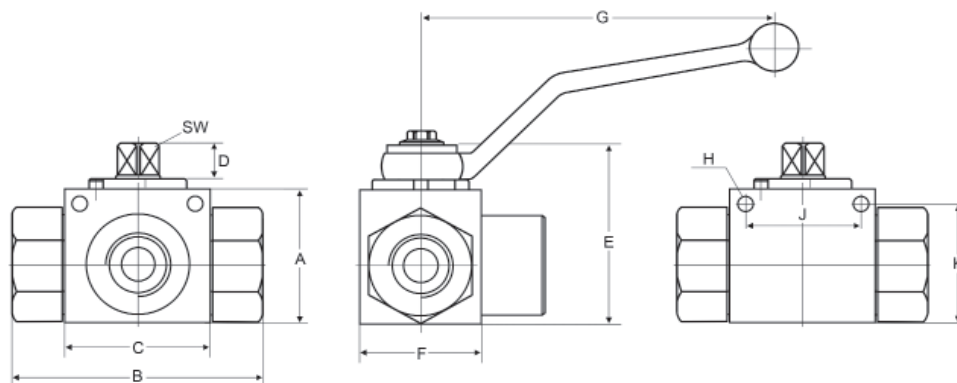
DE3K/DB3K High Pressure Series

3-way Ball Valves

Available by Special Order Only

Features

- Rugged Carbon Steel Construction
- Mounting Holes on DE models
- 1/4" - 1 1/2" Sizes - NPT and SAE
- Full and Reduced Port
- Blow-Out Proof Stems
- Chrome-plated Steel Ball
- Standard Seals: Buna-N; other seals available
- Max Pressure: Up to 5880 psi
- Max Temperature: 215°F



* Dynamic seals in DE3K series valves allow for higher pressure at closed port without leakage.

Model #'s & Dimensional Information

Model #	Thread	psi	Port	A	B	C	D	E	F	G	H	J	K	SW	Weight
DE3K*-14-NPT	1/4" NPT	5880	.24	1.27	2.72	1.46	.38	1.78	1.11	4.51	.18	1.02	1.07	.32	1.0 lb
DE3K*-38-NPT	3/8" NPT	5880	.39	1.58	2.84	1.65	.38	2.08	1.26	4.51	.26	1.23	1.38	.32	1.5 lbs
DE3K*-12-NPT	1/2" NPT	5145	.51	1.58	2.28	1.90	.38	2.08	1.37	4.51	.26	1.46	1.38	.32	2.0 lbs
DE3K*-34-NPT	3/4" NPT	5145	.79	2.27	3.74	2.36	.55	2.97	1.89	6.38	.26	1.77	2.01	.39	4.0 lbs
DE3K*-1-NPT	1" NPT	5145	.98	2.52	4.45	2.56	.55	3.25	2.24	6.38	.26	2.17	2.27	.39	5.5 lbs
DE3K*-114R-NPT <i>Reduced Port</i>	1 1/4" NPT	4500	.98	2.53	4.72	2.56	.55	3.25	2.36	6.38	.26	2.17	2.29	.39	6.0 lbs
DE3K*-112R-NPT <i>Reduced Port</i>	1 1/2" NPT	4500	.98	2.53	4.84	2.56	.55	3.25	2.36	6.38	.26	2.17	2.29	.39	6.5 lbs

Model #	Thread	psi	Port	A	B	C	D	E	F	G	H	J	K	SW	Weight
DE3K*-04 SAE	7/16"-20	5880	.24	1.27	2.72	1.46	.38	1.78	1.11	4.51	.18	1.02	1.07	.32	1.0 lb
DE3K*-06 SAE	9/16"-18	5880	.39	1.58	2.84	1.65	.38	2.08	1.26	4.51	.26	1.23	1.38	.32	1.5 lbs
DE3K*-08 SAE	3/4"-16	5145	.51	1.58	2.28	1.90	.38	2.08	1.37	4.51	.26	1.46	1.38	.32	2.0 lbs
DE3K*-12 SAE	1 1/16"-12	5145	.79	2.27	3.74	2.36	.55	2.97	1.89	6.38	.26	1.77	2.01	.39	4.0 lbs
DE3K*-16 SAE	15/16"-12	5145	.98	2.52	4.45	2.56	.55	3.25	2.24	6.38	.26	2.17	2.27	.39	5.5 lbs
DE3K*-20R SAE <i>Reduced Port</i>	1 5/8"-12	4500	.98	2.53	4.72	2.56	.55	3.25	2.36	6.38	.26	2.17	2.29	.39	6.0 lbs
DE3K*-24R SAE <i>Reduced Port</i>	1 7/8"-12	4500	.98	2.53	4.84	2.56	.55	3.25	2.36	6.38	.26	2.17	2.29	.39	6.5 lbs

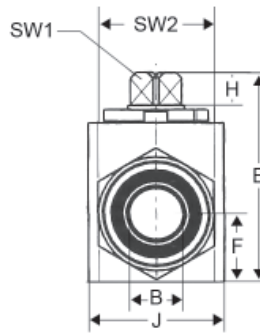
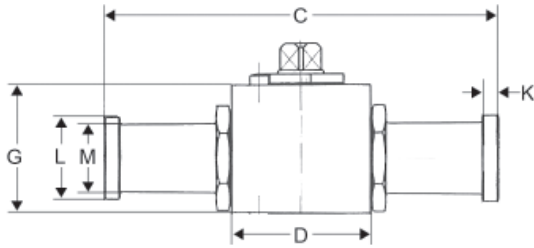
* "L" and "T" Ports available. Minimum quantity may apply.

Features

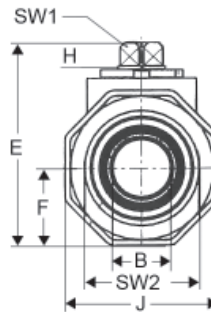
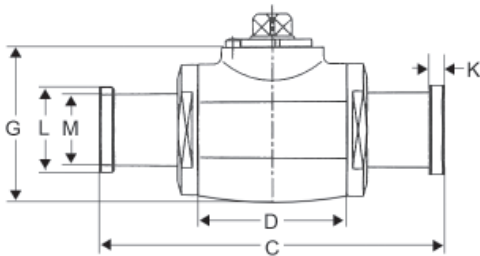
- Rugged Carbon Steel Construction
- SAE Split Flange
- 1/2" - 2" Sizes
- Code 61 (3000 psi)
- Code 62 (6000 psi)



DES Models



DBS Models



Model #'s & Dimensional Information

Model #	Size	psi	dn	B	C	D	E	F	G	H	J	K	L	M	SW1	SW2
DES2-16-3000	1/2"	3000	.63	.59	6.69	1.85	2.50	.75	1.81	.43	1.50	.27	1.50	1.24	.47	1.26
DES2-16-6000	1/2"	6000	.63	.59	6.69	1.85	2.50	.75	1.81	.43	1.50	.35	1.63	1.26	.47	1.26
DES2-20-3000	3/4"	3000	.79	.75	6.69	2.36	2.95	.94	2.24	.47	1.89	.27	1.50	1.24	.55	1.61
DES2-20-6000	3/4"	6000	.79	.75	6.69	2.36	2.95	.94	2.24	.47	1.89	.35	1.63	1.26	.55	1.61
DES2-25-3000	1"	3000	.98	.98	6.95	2.56	3.23	1.12	2.52	.47	2.24	.31	1.75	1.50	.55	1.97
DES2-25-6000	1"	6000	.98	.98	7.81	2.56	3.23	1.12	2.52	.47	2.24	.37	1.87	1.50	.55	1.97
DBS2-32-3000	1 1/4"	3000	1.26	1.18	7.52	3.31	4.11	1.48	3.31	.55	2.91	.31	2.00	1.69	.67	2.36
DBS2-32-6000	1 1/4"	6000	1.26	1.18	8.78	3.31	4.11	1.48	3.31	.55	2.91	.41	2.13	1.73	.67	2.36
DBS2-40-3000	1 1/2"	3000	1.57	1.50	9.09	3.58	4.55	1.67	3.74	.55	3.35	.31	2.38	1.97	.67	2.76
DBS2-40-6000	1 1/2"	6000	1.57	1.50	11.06	3.58	4.55	1.67	3.74	.55	3.35	.50	2.50	2.01	.67	2.76
DBS2-50-3000	2"	3000	1.97	1.89	9.21	3.94	5.24	2.07	4.43	.55	4.13	.38	2.81	2.44	.67	3.15
DBS2-50-6000	2"	6000	1.97	1.89	12.40	3.94	5.24	2.07	4.43	.55	4.13	.50	3.13	2.64	.67	3.15



FLUID COMPONENTS, INC.

Ball Valve Accessories

Ball Valve Locking Kits

Model #'s & Descriptions

Model #	Description
DLK-S	"U" Locking Kit for DE Models: 1/4" - 1/2" Full Port Sizes
DLK-M	"U" Locking Kit for DE Models: 3/4" - 1" Full Ports & 1 1/4" - 1 1/2" Reduced Ports
DLK-L	"U" Locking Kit for DB Models: 1 1/4" - 2" Full Ports Sizes
LK-S	Flat Locking Kit for DE Models: 1/4" - 1/2" Full Port Sizes
LK-M	Flat Locking Kit for DE Models: 3/4" - 1" Full Ports & 1 1/4" - 1 1/2" Reduced Ports
LK-L	Flat Locking Kit for DB Models: 1 1/4" - 2" Full Port Sizes



"U" Style



Flat Style

Not sure how to install your locking kit?

Visit: <https://www.youtube.com/watch?v=YjUedUGMxYM> to watch a short video demonstration on installing our "U" style locking kits.

Ball Valve Handles

Model #'s & Descriptions

Model #	Description	Length
SW9 - Sm. Silver Handle (DE 1/4" - 1/2")	SW9 Small Silver Handle for DE2 / DE3 1/4" - 1/2" Full Port Sizes	4.51"
SW14 - Med. Silver Handle (DE 3/4" - 1 1/2")	SW14 Medium Silver Handle for DE2 / DE3 3/4" - 1" Full Port Sizes & 1 1/4" - 1 1/2" Reduced Ports	6.38"
SW17 - Lg. Silver Handle (DB 1 1/4" - 2")	SW17 Large Silver Handle for DB2 / DB3 1 1/4" - 2" Full Port Sizes	9.00"

Model JPLS-3000 Log Splitter Control Valve

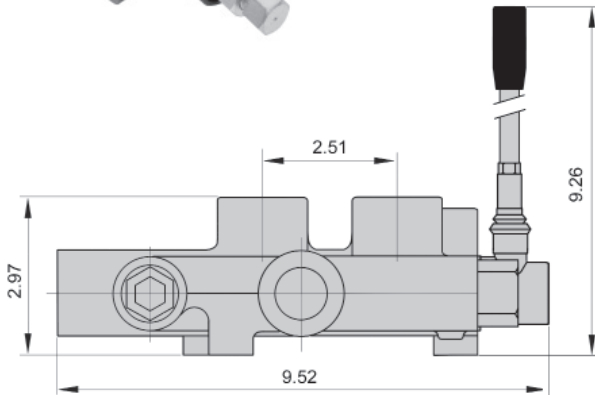
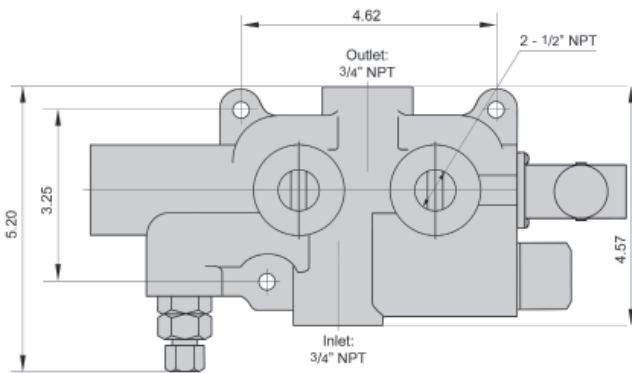
Model JPLS-3000 offers a hydraulically-balanced, chrome-plated spool and pressure release detent adjustable from 1000 to 2000 psi. Recommended for systems with flows up to 25 gpm, the JPLS-3000 relief valve is adjustable up to 2750 psi. When the tandem center spool is in neutral position, hydraulic flow is diverted to the return line. This is used to hold the cylinder/piston in position with no load on the pump, keeping wear and tear on the pump to a minimum.

Technical Specifications

- Max Operating Pressure: 2750 psi
- Max Tank Pressure: 150 psi
- Max Flow Rating: 25 gpm
- Relief Valve Setting: 2250 psi
- Recommended Filtration: ISO 4406 19/17/14
- Max Operating Temperature: 180°F
- Standard Port Size: 1/2" NPT
- Weight: 10 lbs

In exposed applications, do not mount with spool vertical and handle down.

Installation Data



Ordering Example:

Model Series
JPLS - 3000

Note: 1/2" NPT ports are standard. Additional port options may be available with special order.

DYNAMIC

FLUID COMPONENTS, INC.

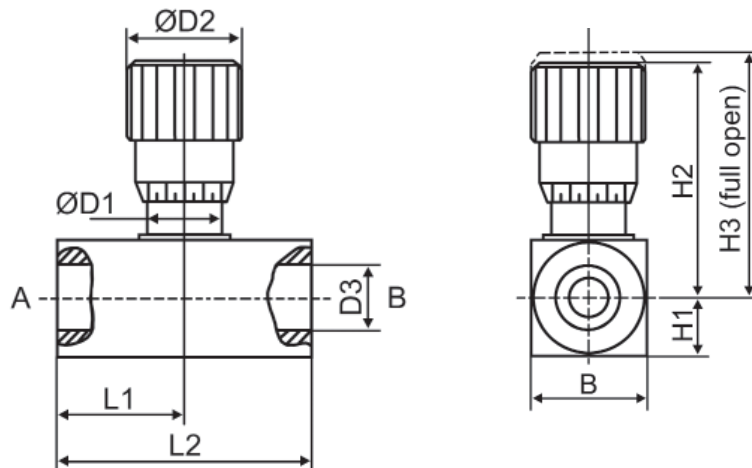
JP-NV Series Needle Valve

Features

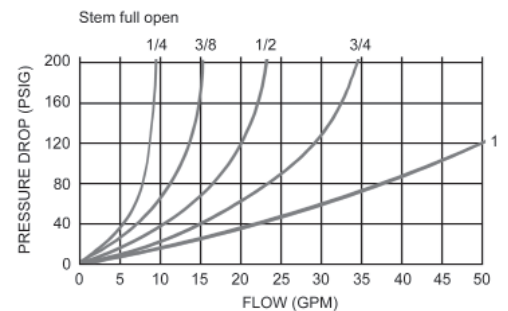
- Micrometer adjustment knob for accurate valve setting
- Rugged construction
- Maximum Pressure: 5000 psi
- Temperature Range: -4° to 176°F (-20°C to 80°C)
- Allen Head Lock Screw to Lock Handle in Place

Materials

- Body: Carbon steel with black oxide plating
- Handle: Zinc Alloy
- Set Screw: Steel
- Packing: Buna O-Ring/PTFE stem packing



Performance

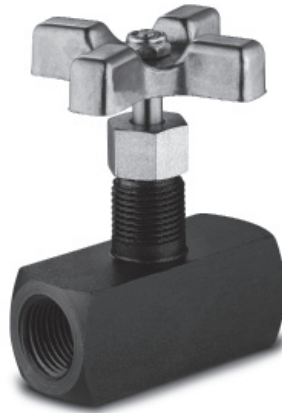
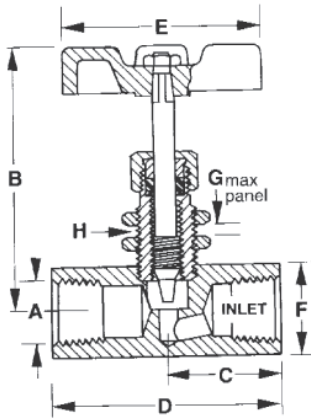


Model #'s & Dimensional Information

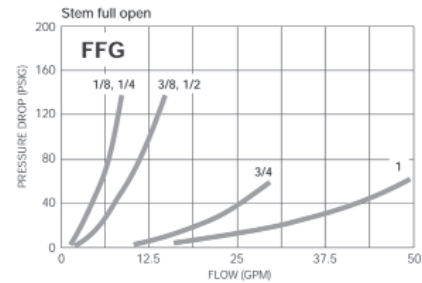
Model #	B	D1	D2	D3	H1	H2	H3	L1	L2	Weight
JP-NV-1/4 NPT	1.10"	.76"	1.18"	1/4" NPT	.55"	2.41"	2.67"	1.065"	2.13"	.90 lbs
JP-NV-3/8 NPT	1.10"	.76"	1.18"	3/8" NPT	.55"	2.41"	2.67"	1.065"	2.13"	.90 lbs
JP-NV-1/2 NPT	1.50"	.95"	1.46"	1/2" NPT	.75"	3.07"	3.41"	1.34"	2.68"	2.00 lbs
JP-NV-3/4 NPT	1.50"	.95"	1.46"	3/4" NPT	.75"	3.08"	3.41"	1.54"	3.07"	2.00 lbs
JP-NV-1 NPT	1.89"	1.38"	1.89"	1" NPT	.94"	4.03"	4.50"	1.81"	3.62"	4.20 lbs
JP-NV-1 1/4 NPT	2.39"	1.74"	2.26"	1 1/4" NPT	1.20"	5.34"	5.88"	2.24"	4.49"	7.50 lbs
JP-NV-1 1/2 NPT	2.76"	2.38"	3.17"	1 1/2" NPT	1.38"	6.30"	7.13"	2.41"	4.81"	15.40 lbs
JP-NV-06-SAE	1.10"	.76"	1.18"	06 SAE	.55"	2.41"	2.67"	1.065"	2.13"	.90 lbs

Features

- Up to 10,000 psi
- Heavy Duty construction for added strength and safety
- Carbon Steel valves are zinc plated and sealed with black chromate for corrosion protection



Performance



Model #'s & Dimensional Information

Model #	Body Material	A Female	B Max.	C	D	E	F Square	G	H Dia.	Orifice Dia.	Weight lbs.
DFFG2001T	Carbon Steel	1/8" NPT	3 1/2"	31/32"	1 15/16"	2 1/2"	7/8"	3/8"	5/8"	7/22"	.45
DFFG2002T		1/4" NPT	3 1/2"	1 1/32"	2 1/16"	2 1/2"	7/8"	3/8"	5/8"	7/22"	.55
DFFG2003T		3/8" NPT	3 5/8"	1 7/16"	2 3/4"	2 1/2"	1 1/8"	3/8"	3/4"	7/22"	.75
DFFG2004T		1/2" NPT	3 5/8"	1 7/16"	2 3/4"	2 1/2"	1 1/8"	3/8"	3/4"	7/22"	.95
DFFG2006TA		3/4" NPT	5 3/16"	1 13/16"	3 5/8"	4 1/4"	1 1/2"	7/8"	1 1/2"	9/16"	3.5
DFFG2008TA		1" NPT	5 5/16"	2 1/32"	4 1/16"	4 1/4"	2"	7/8"	1 1/2"	9/16"	5.3



FLUID COMPONENTS, INC.

JP-FC Series

Flow Control Valve

Features

- Micrometer adjustment knob for accurate valve setting
- Rugged construction
- Maximum Pressure: 5000 psi
- Temperature Range: -4° to 176°F (-20°C to 80°C)
- Allen Head Lock Screw to Lock Handle in Place

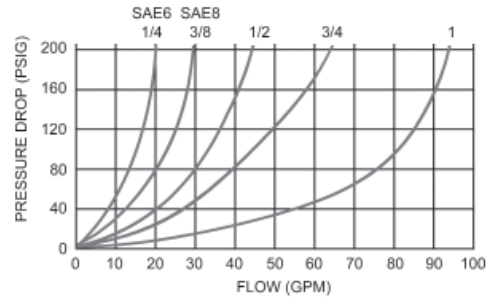
Materials

- Body: Carbon steel with black oxide plating
- Handle: Zinc Alloy
- Set Screw: Steel
- Packing: Buna O-Ring/PTFE stem packing

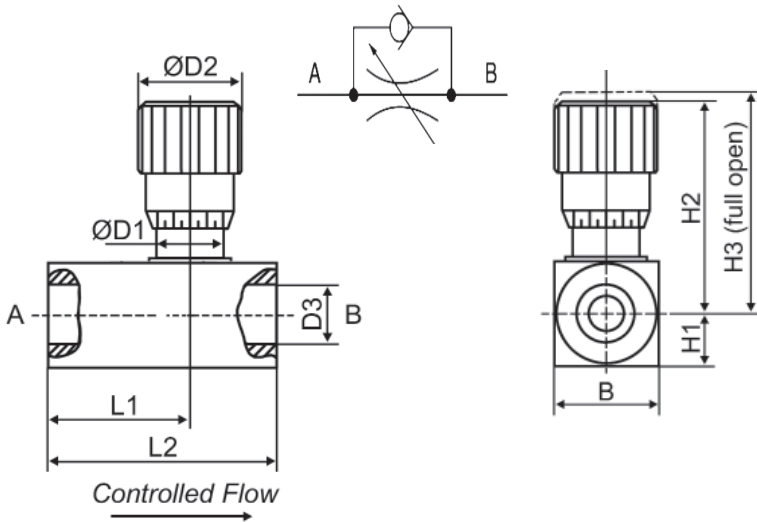
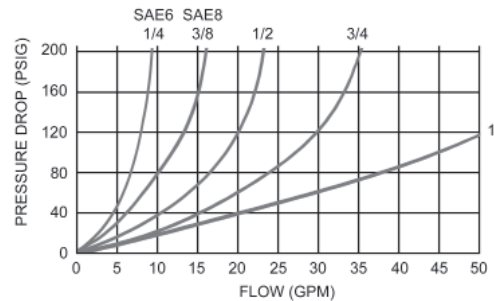


Performance

Free Flow Direction - Stem full open



Controlled Flow Direction - Stem full open

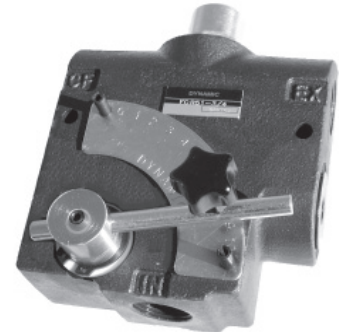


Model #'s & Dimensional Information

Model #	B	D1	D2	D3	H1	H2	H3	L1	L2	Weight
JP-FC-1/4 NPT	1.10"	.76"	1.18"	1/4" NPT	.55"	2.41"	2.67"	1.54"	2.52"	.90 lbs
JP-FC-3/8 NPT	1.10"	.76"	1.18"	3/8" NPT	.55"	2.41"	2.67"	1.69"	2.75"	.90 lbs
JP-FC-1/2 NPT	1.50"	.95"	1.46"	1/2" NPT	.75"	3.07"	3.41"	2.05"	3.27"	2.00 lbs
JP-FC-3/4 NPT	1.50"	.95"	1.46"	3/4" NPT	.75"	3.08"	3.41"	2.19"	3.50"	2.00 lbs
JP-FC-1 NPT	1.89"	1.38"	1.89"	1" NPT	.94"	4.03"	4.50"	2.79"	4.60"	4.20 lbs
JP-FC-1-1/4 NPT	2.38"	1.96"	2.28"	1 1/4" NPT	1.18"	5.25"	5.88"	3.39"	6.07"	9.55 lbs
JP-FC-SAE6	1.10"	.76"	1.18"	06 SAE	.55"	2.41"	2.67"	1.69"	2.75"	.90 lbs
JP-FC-SAE8	1.50"	.95"	1.46"	08 SAE	.75"	3.07"	3.41"	2.05"	3.27"	2.00 lbs

Pressure Compensating Variable Flow Control

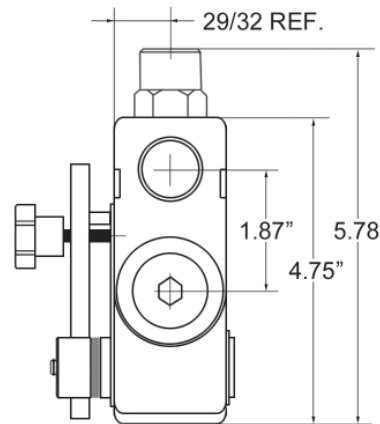
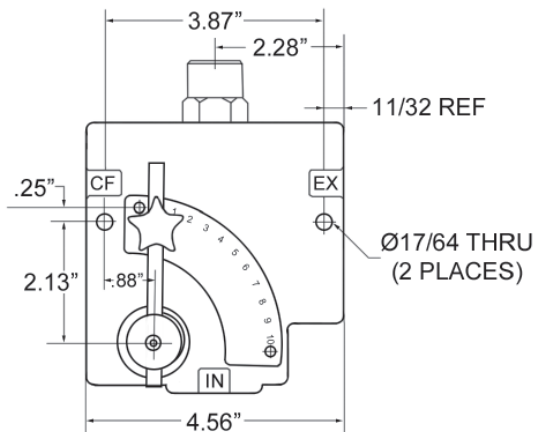
Model DFC-51 is a full-range pressure compensating variable flow control. It is designed so that the orifice area varies as the lever is rotated. The outlet flow is smooth and constant regardless of the pressure on the control flow or excess flow ports. An adjustable ball spring relief allows for pressure compensated flow up to the pressure setting on the relief. Relief valves are preset at 1500 psi and field adjustable from 75 to 3000 psi.



Materials

- Cast Iron Body
- Heat Treated Compensator Spool
- Stainless Steel Rotary Spool
- Buna-N "O" Rings

Installation Data



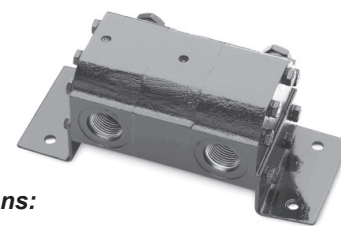
Ordering Example:

Model Relief Series Ports
DFC - **R** - **51** - **34-N**

Model	Relief Option	Series	Port Size & Flow
DFC	R = Adj. Ball Spring Relief N = No Relief B* = Extended Relief	51	38-N = 3/8" NPT (0-8 gpm) 12-N = 1/2" NPT (0-16 gpm) 34-N = 3/4" NPT (0-30 gpm) 06-S = 06 SAE (0-8 gpm) 08-S = 08 SAE (0-16 gpm) 10-S = 10 SAE (0-16 gpm) 12-S = 12 SAE (0-32 gpm)

*Special Order Only

Model FDA Gear Flow Divider



Model FDA is a rotary gear flow divider with 6 displacements from .129 to .517 in³/rev (2.13 to 8.42 cm³/rev). Maximum flow rates of 2.5 to 8.5 gpm are available across the displacement range. Standard ports are SAE, sizes are noted in the data chart below.

Recommended working conditions:

- FILTRATION: 25 micron or better
- OIL VISCOSITY: 6 - 200 cSt
- INLET PRESSURE: 12 - 32 psi absolute
- OIL TEMPERATURE: -25° - 80° C (-12° - 175° F)
- AMBIENT -22° - 55° C (-8° - 130° F)

Technical Specifications

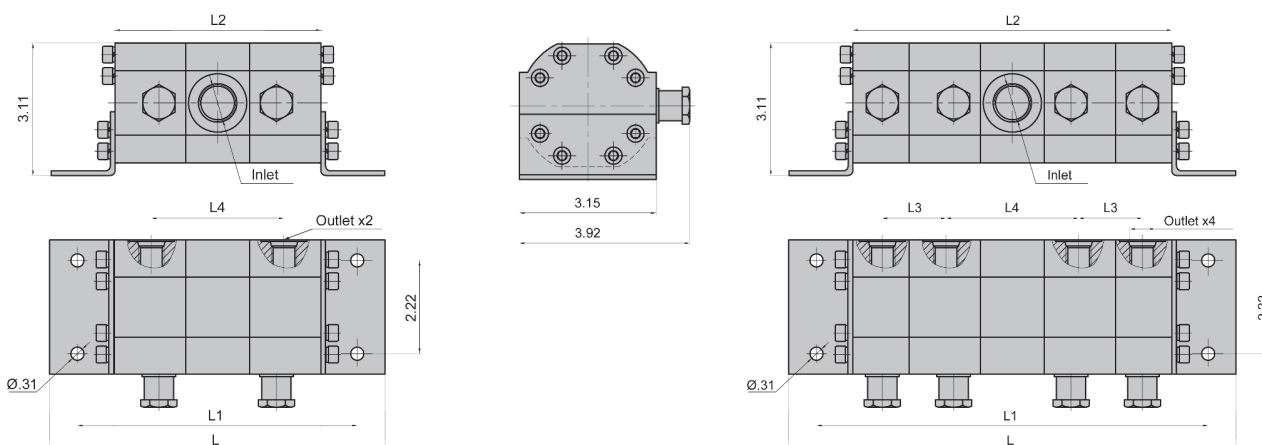
Specifications based on using Petroleum oil at 120°F (49°C), viscosity 150 SUS at 100°F and 0 inlet pressure.

Model	Displacement		Min. Flow per section (gpm)	Max. Flow per section (gpm)	Max. Outlet Pressure		Ports	
	in ³ /rev	cm ³ /rev			psi	Bar	Inlet	Outlet
FDA-2*-129*	.129	2.13	1.20	2.5	3500	240	SAE 8	SAE 8
FDA-2*-194*	.194	3.18	1.70	4.5			SAE 8	SAE 6
FDA-2*-258*	.258	4.24	2.50	5.0			SAE 10	SAE 10
FDA-2*-323*	.323	5.29	3.00	6.0			SAE 10	SAE 10
FDA-2*-388*	.388	6.36	3.50	7.0			SAE 10	SAE 10
FDA-2*-517*	.517	8.42	4.50	9.0			SAE 10	SAE 10
FDA-4*-129*	.129	2.13	1.20	2.0	3500	240	SAE 8	SAE 8
FDA-4*-194*	.194	3.18	1.70	3.0			SAE 8	SAE 6
FDA-4*-258*	.258	4.24	2.50	4.2			SAE 10	SAE 6
FDA-4*-323*	.323	5.29	3.00	4.7			SAE 10	SAE 8
FDA-4*-388*	.388	6.36	3.50	6.1			SAE 10	SAE 8
FDA-4*-517*	.517	8.42	4.50	8.5			SAE 10	SAE 10

Flow Rate (gpm) = Displacement (in³/rev) X Speed (rpm) / 231

Volumetric efficiency % ≥93

Installation Data



Ordering Example:

Model: **FDA** - Sections: **2** - Relief: **R** - Displacement: **258** - Ports: **S**

Category	Series	Relief	Displacement	Ports
FDA = Flow Divider	2 - 2-section 4* - 4-section	R = Relief Valve N = No Relief Valve	129/194/258 323/388/517	S - SAE

*Special Order - minimums may apply

Model DYFB
Spool Flow Divider



Features

- Precision ground heat treated spool
- Pressure compensation for both outlet ports
- Divides inlet flow into two flows of equal flow (other ratios available with minimum order)
- Maximum Pressure: 3000 psi
- Optional free reverse flow allows fluid to move from the outlet ports to the inlet port

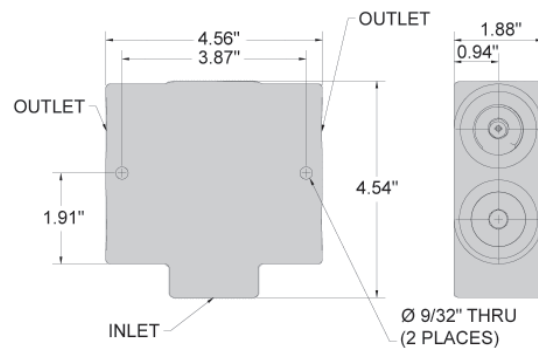
Materials

- Cast Iron Body
- Buna N "O" Rings
- Heat Treated Steel Spool
- Heat Treated Free Reverse Check Seat

Technical Specifications

Port Size	Min. Flow each section (gpm)	Max. Flow each section (gpm)	Max. Outlet Pressure (psi)
3/8" NPT	2	8	3000
1/2" NPT	8	16	
3/4" NPT	16	30	
#10 SAE	8	16	
#12 SAE	16	30	

Installation Data



Ordering Example: Model **DYFB** Flow Options **100** - Port Size **1/2**

Category	Flow Options	Port Size
DYFB = Flow Divider	50* = Inlet to Outlet 100 = Free Reverse Flow	3/8 = 3/8" NPT 1/2 = 1/2" NPT 3/4 = 3/4" NPT 10SAE = 10 SAE 12SAE = 12 SAE

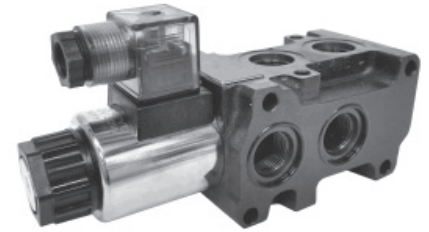
*Special Order - minimums may apply



FLUID COMPONENTS, INC.

Model DSV Selector Valve

The Dynamic DSV 12-volt DC selector valve is operated by a continuously rated wet pin solenoid. This is capable of switching from one circuit to another at a variety of flows and pressures. The DSV may be connected to the service ports of a directional control valve and used to direct service line flow to and from either of two separate devices. If more than two circuits are to be controlled then additional units can be stacked together (max of 3), minimizing the need for pipes and fittings. Also the DSV series valves can be connected to a pump and used to direct the flow to either one of two different circuits.

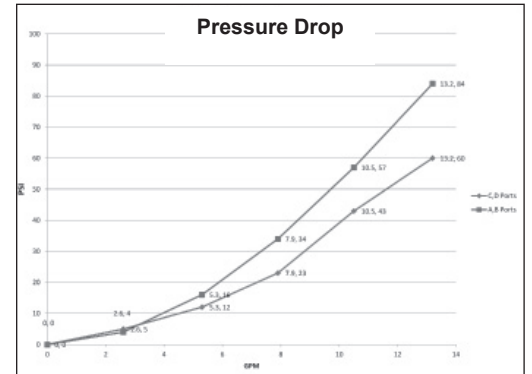
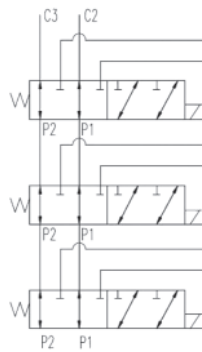


Technical Specifications

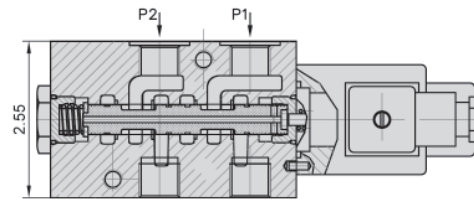
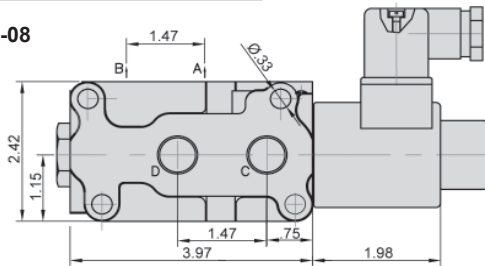
Hydraulic		
Port Size	3/4-16 - SAE-08	7/8-14 - SAE-10
Max Flow Rate	13.2 gpm	18.0 gpm
Operating Pressure	3600 psi	3600 psi
Oil Temp Range	-4°F - 158°F	-4°F - 158°F
Viscosity Range	70-1790 SSu	70-1790 SSu
Filtration Requirement	NAS 1638 8	NAS 1638 8
Weight	10 lbs	11.5 lbs

Electrical	
Supply Voltage	12/24 VDC
Amperage Rating	1.25A for DC 12V 2.50A for DC 24V
Max Ambient Temp	125° F
Max Coil Temp	356° F
Duty Cycle	Continuous

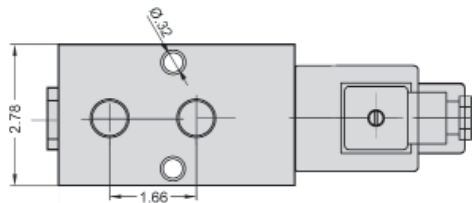
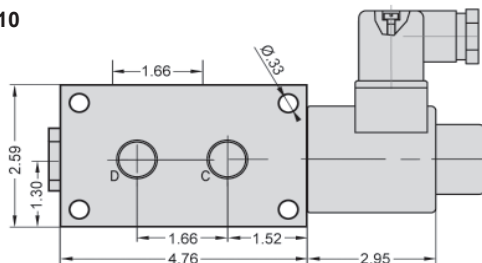
Spool Function



SAE-08



SAE-10



Ordering Example: Model **DSV** - Style **62** - Port Size **08** - Supply Voltage **12**

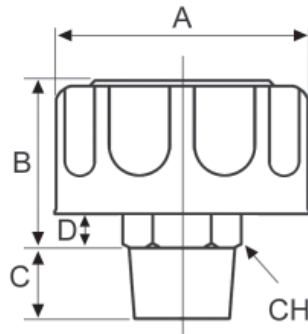
Model	Style	Port Size**	Supply Voltage
DSV= Dynamic Selector Valve	62 = 6-way, 2-Station	08 = SAE-08 10 = SAE-10	12 = 12/24VDC

** Additional port sizes may be available by special order.

Screw-On Air Breathers

Features

- 40 Micron Breather
- Cap: Chrome-plated Steel
- Connector: Galvanized Steel
- 1/4" to 1" NPT
- Working Temp: -13° - 230°F



Dimensional Information

Model #	Thread	A	B	C	D	CH	Micron	Flow
DB40-04	1/4" NPT	1.85"	1.30"	.47"	.28"	.75"	40	40 gpm
DB40-06	3/8" NPT	1.85"	1.30"	.47"	.28"	.75"	40	79 gpm
DB40-08	1/2" NPT	3.12"	2.09"	.62"	.28"	1.27"	40	119 gpm
DB40-12	3/4" NPT	3.12"	2.09"	.62"	.28"	1.27"	40	198 gpm
DB40-16	1" NPT	3.12"	2.12"	.75"	.38"	1.42"	40	225 gpm

Ordering Example:

Model: **DB** Filtration: **40** Connection: **04**

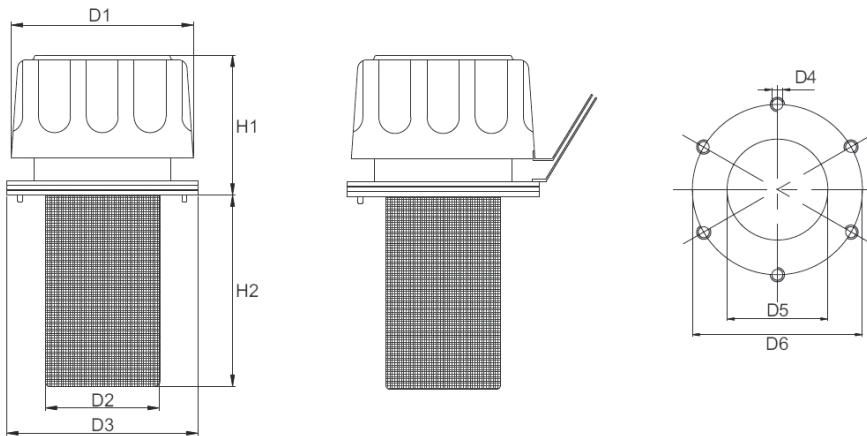
Model	Filtration	Connection
DB = Designation for Breathers	40 = 40 micron	04 = 1/4" NPT 06 = 3/8" NPT 08 = 1/2" NPT 12 = 3/4" NPT 16 = 1" NPT

Features

- Chrome Plated Steel Cap
- 40 Micron Breather
- 3", 4" & 6" Basket Lengths
- Metal Basket Standard
- Lockable Option



Installation Data



Dimensional Information

Model #	D1	D2	D3	D4	D5	D6	H1	H2	Micron	Flow Rate
DFB40-03	3.15"	1.97"	3.27"	M5	2.05"	2.87"	2.24"	3.07"	40	119 gpm
DFB40-04*	3.15"	1.97"	3.27"	M5	2.05"	2.87"	2.24"	3.94"	40	119 gpm
DFB40-06*	3.15"	1.97"	3.27"	M5	2.05"	2.87"	2.24"	5.83"	40	119 gpm

Model
Filtration
Basket Length
Options

Ordering Example: **DFB** **40** - **03** - **MB**

Model	Filtration	Basket Length	Options
DFB = Designation for Filter Breathers	40 = 40 micron	03 = 3" 04* = 4" 06* = 6"	MB = Standard Metal Basket L = Lockable

* Special order

Consult Factory for ordering caps or baskets only