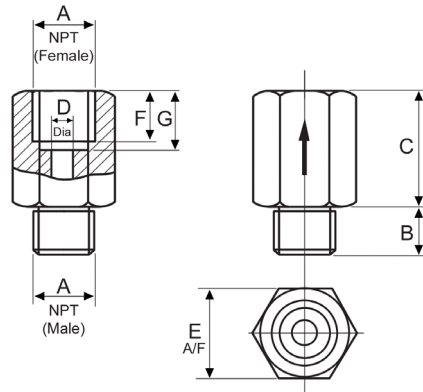


## Gauge Snubbers

By fitting with a snubber, a pressure gauge is protected from harmful pressure surges and pulsations which would otherwise overload the gauge mechanism.

The 1/4" NPT snubber has a helically formed oilway with a small orifice through which fluid must pass to reach the gauge. This provides high resistance to smooth out surges and pulses, yet allows rapid responses and steady gauge readings.



Model #	A	B	C	D	E	F	G	Material	Rated Pressure
PDD-4B	1/4" NPT	.52"	.94"	.20"	.71"	.43"	.55"	Brass	10,000 psi

## Gauge Protectors

Dynamic recommends the use of our Buna N rubber housing gauge protector on our standard 2 1/2" stem mount gauges (style "A"). This saves damage to the gauge should it be dropped or bumped.

**Order by Model #: GP-40N**



## Certificates of Accuracy

Dynamic offers in-house generated certificates of accuracy for all gauges up to 10,000 psi. Gauges are tested against a calibrated PDTG Test Gauge with .6% accuracy and the pressure of both gauges is documented at predetermined increments from 0 psi to the maximum tolerance then back to 0psi. Customers are provided with a certificate documenting all pressure readings, as well as the serial number which matches the gauge which was tested.

Certificates of Accuracy produced at Dynamic Fluid Components do not conform with ANSI or NIST standards. Should this additional level certification be required, the customer would need to obtain it independently from a third-party source.

**To order, add "Certificate of Accuracy" as a separate line item.**  
*There is a set fee per gauge for these certificates.*