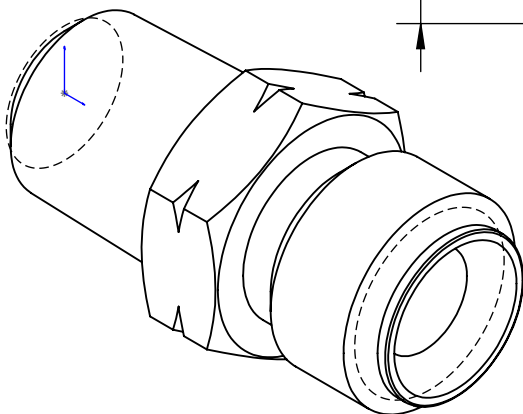
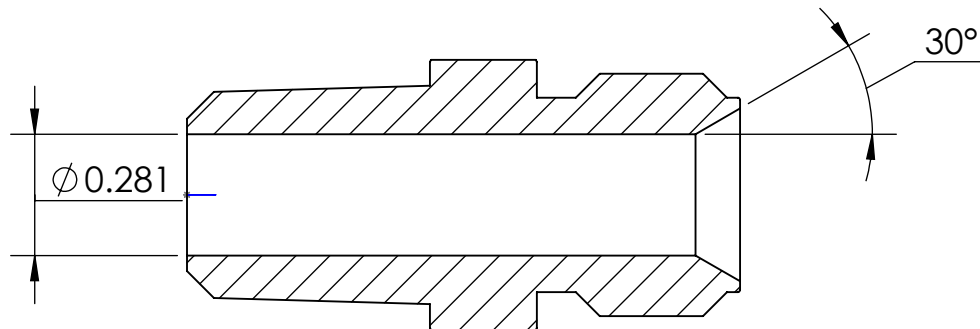
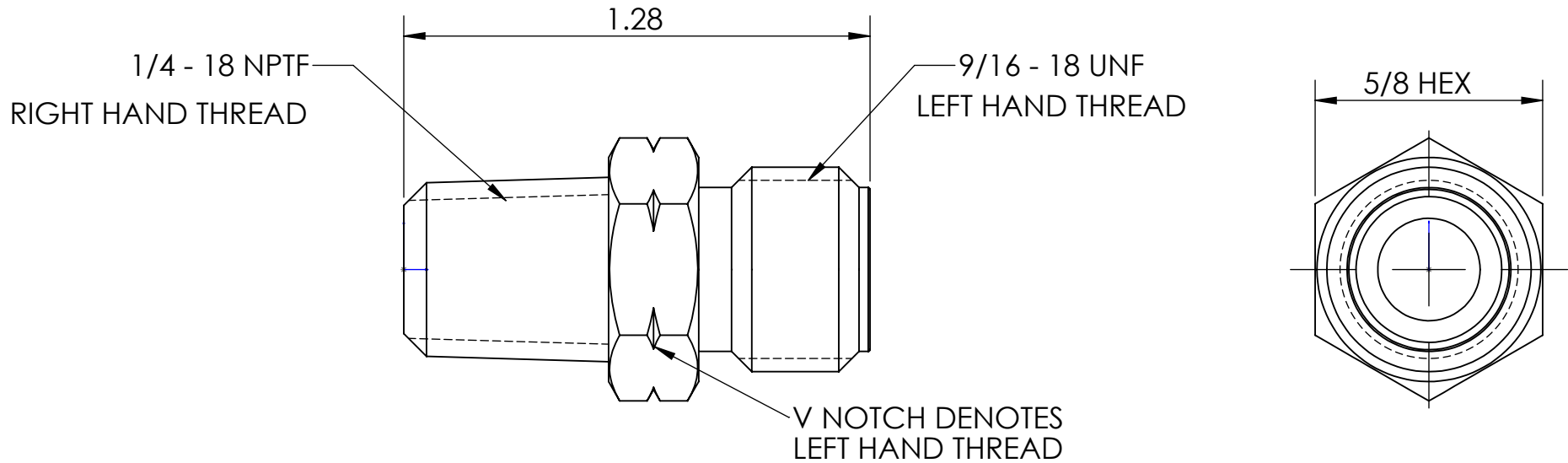


LINE DRAWING NOT FOR PRODUCTION PURPOSES



THIS DRAWING CONTAINS INFORMATION DEEMED PROPRIETARY TO DIXON BRASS AND IS SO TO BE USED ONLY FOR THE PURPOSE FOR WHICH IT IS SUBMITTED, AND FURTHER, SHALL NOT BE COPIED IN WHOLE OR IN PART WITHOUT EXPRESS WRITTEN PERMISSION FIRST OBTAINED FROM DIXON BRASS.				
UNLESS OTHERWISE SPECIFIED:				
DIMENSIONS ARE IN INCHES		 The Right Connection™	<b>Dixon Brass</b> Westmont, Illinois USA	
TOLERANCES: ANGLES: $\pm 0^{\circ}30'$ .X ( $\pm .015$ ) .XX ( $\pm .010$ ) .XXX ( $\pm .005$ ) DIMENSIONS PER ANSI Y14.5			DRAWN P. MONAGHAN APPROVED	DATE 1/26/15 DATE
			ECO NO.	
		DRAWING NOT REPRODUCED TO SCALE		
		TITLE: WELDING HOSE ADAPTER LEFT UNF - RIGHT NPTF	SIZE <b>A</b>	DWG. NO. 1580904C
				REV D