

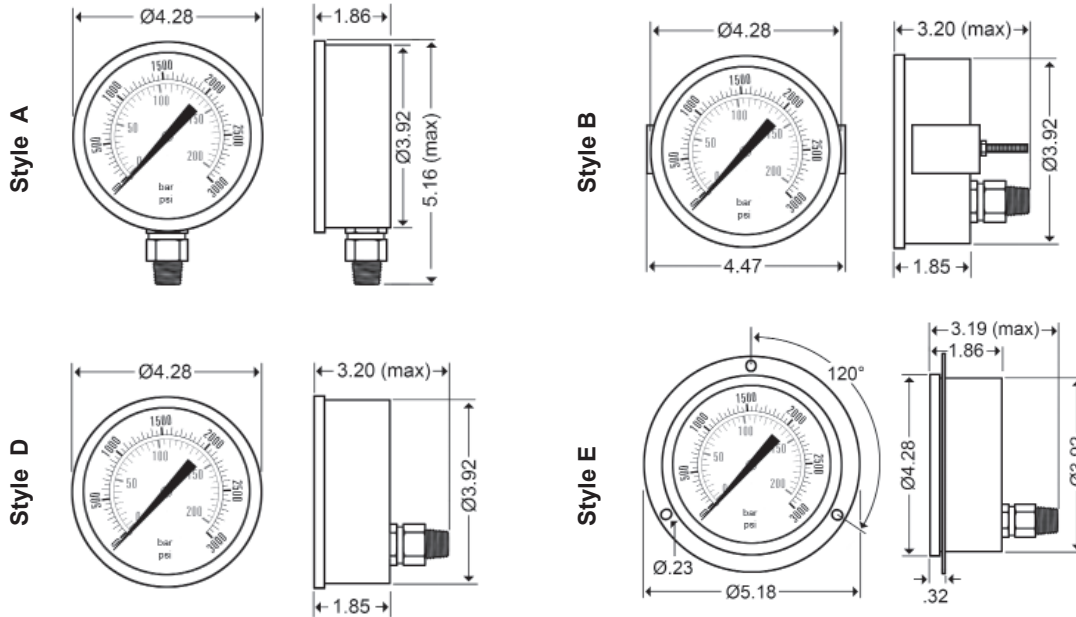
CFC Series Gauges 4" • Glycerine-Filled Gauges

Features

- 304 Stainless Steel Case & Bezel
- Phosphor Bronze Bourdon Tube
- Bronze connection
- Polycarbonate Lens
- Built-in Relief Valve & Snubber
- Range: Vacuum to 10,000 psi
- Dual Scale: psi & bar
- Accuracy: $\pm 1\%$ FSD
- Temperature Range: -40° to 180° F
- Certificate of Accuracy Available
(see page 15 for details)



Installation Data



1/4" NPT is standard connection for 600 psi and below; 1/2" NPT is standard for 1000 psi and above

Ordering Example:

Model	Size	Type	Range	Style
CFC	2	P	- 350	A

Model	Size	Type	Pressure Range	Style
CFC = Glycerine-filled 4" Gauge	2 = 4" dia.	C = Compound V = Vacuum P = Pressure	002 = 30" Hg - 30 psi** 000 = 30" Hg - 0 psi 001 = 15 psi 002 = 30 psi 004 = 60 psi 007 = 100 psi 010 = 160 psi 015 = 200 psi 020 = 300 psi 040 = 600 psi 070 = 1000 psi 100 = 1500 psi 140 = 2000 psi 210 = 3000 psi 280 = 4000 psi 350 = 5000 psi 420 = 6000 psi 700 = 10,000 psi	A = Stem B = Panel Clamp D = Lower Back E = Panel Flange

**Additional compound ranges may be available by special order.