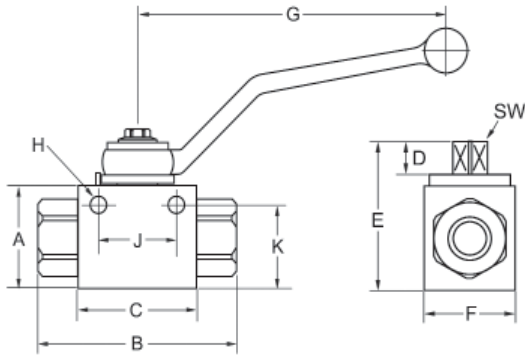
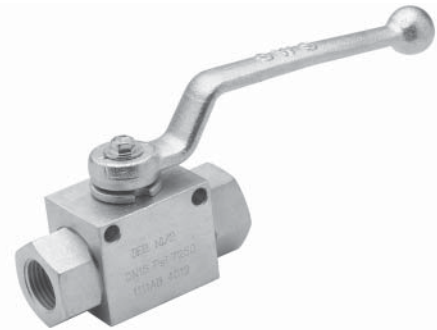


Features

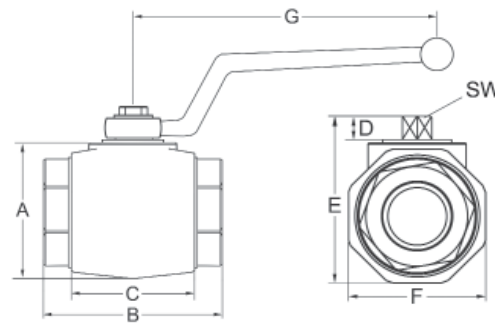
- Mounting Holes on DE models
- 1/4" - 2" Sizes - NPT and SAE
- Full and Reduced Port
- Blow-Out Proof Stems
- Max Pressure: Up to 7250 psi
- Max Temperature: 215°F

Materials

- Carbon Steel Construction
- Standard Seals: Buna-N;
Seat: POM; Stem: Teflon;
other seals by special order
- Chrome-plated Steel Ball



DE Model



DB Model

Model #'s & Dimensional Information

Model #	Thread	psi	Port	A	B	C	D	E	F	G	H	J	K	SW	Weight
DE2-14NPT	1/4" NPT	7250	.24	1.27	2.71	1.45	.37	1.75	1.10	4.51	.18	1.03	1.05	.32	1.0 lb
DE2-38NPT	3/8" NPT	7250	.39	1.58	2.84	1.65	.41	2.08	1.27	4.51	.26	1.24	1.38	.32	1.5 lb
DE2-12NPT	1/2" NPT	7250	.51	1.58	3.27	1.90	.41	2.08	1.39	4.51	.26	1.46	1.38	.32	1.5 lb
DE2-34NPT	3/4" NPT	5800	.79	2.25	3.74	2.36	.55	2.97	1.90	6.38	.26	1.76	1.99	.39	3.5 lb
DE2-1-NPT	1" NPT	5000	.98	2.53	4.45	2.56	.55	3.25	2.25	6.38	.26	2.17	2.29	.39	5.0 lb
DE2-114R-NPT <i>Reduced Port</i>	1 1/4" NPT	5000	.98	2.53	4.73	2.56	.55	3.25	2.37	6.38	.26	2.17	2.29	.39	5.5 lb
DE2-112R-NPT <i>Reduced Port</i>	1 1/2" NPT	5000	.98	2.53	4.85	2.56	.55	3.25	2.37	6.38	.26	2.17	2.29	.39	6.0 lb
DB2-114-NPT	1 1/4" NPT	5000	1.26	3.43	4.72	3.31	.63	4.26	3.22	9.00	-	-	-	.51	9.0 lb
DB2-112-NPT	1 1/2" NPT	5000	1.57	3.92	5.13	3.58	.63	5.01	3.66	9.00	-	-	-	.51	11.5 lb
DB2-2-NPT	2" NPT	5000	1.97	4.52	5.52	3.94	.63	5.33	4.31	9.00	-	-	-	.51	15.5 lb

Model #	Thread	psi	Port	A	B	C	D	E	F	G	H	J	K	SW	Weight
DE2-04-SAE	7/16"-20	7250	.24	1.27	2.71	1.45	.37	1.75	1.10	4.51	.18	1.03	1.05	.32	1.0 lb
DE2-06-SAE	9/16"-18	7250	.39	1.58	2.84	1.65	.41	2.08	1.27	4.51	.26	1.24	1.38	.32	1.5 lb
DE2-08-SAE	3/4"-16	7250	.51	1.58	3.27	1.90	.41	2.08	1.39	4.51	.26	1.46	1.38	.32	1.5 lb
DE2-12-SAE	1 1/16"-12	5800	.79	2.25	3.74	2.36	.55	2.97	1.90	6.38	.26	1.76	1.99	.39	3.5 lb
DE2-16-SAE	1 5/16"-12	5000	.98	2.53	4.45	2.56	.55	3.25	2.25	6.38	.26	2.17	2.29	.39	5.0 lb
DE2-20R-SAE <i>Reduced Port</i>	1 5/8"-12	5000	.98	2.53	4.73	2.56	.55	3.25	2.37	6.38	.26	2.17	2.29	.39	5.5 lb
DE2-24R-SAE <i>Reduced Port</i>	1 7/8"-12	5000	.98	2.53	4.85	2.56	.55	3.25	2.37	6.38	.26	2.17	2.29	.39	6.0 lb
DB2-20-SAE	1 5/8"-12	5000	1.26	3.43	4.72	3.31	.63	4.26	3.22	9.00	-	-	-	.51	9.0 lb
DB2-24-SAE	1 7/8"-12	5000	1.57	3.92	5.13	3.58	.63	5.01	3.66	9.00	-	-	-	.51	11.5 lb
DB2-32-SAE	2 1/2"-12	5000	1.97	4.52	5.52	3.94	.63	5.33	4.31	9.00	-	-	-	.51	15.5 lb



FLUID COMPONENTS, INC.

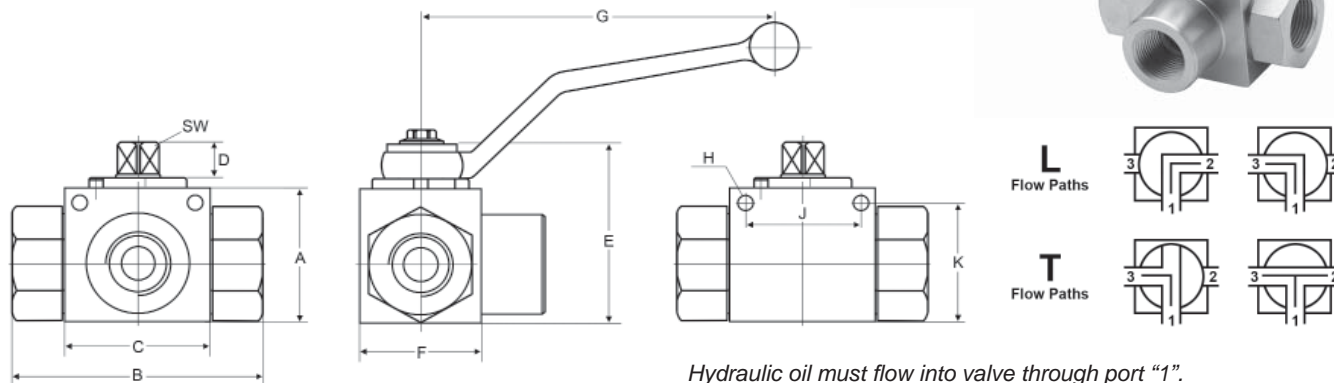
DE3L/DB3L High Pressure Series 3-way Ball Valves

Features

- Mounting Holes on DE models
- 1/4" - 2" Sizes - NPT and SAE
- Full and Reduced Port
- Blow-Out Proof Stems
- Max Pressure: Up to 5880 psi
- Max Temperature: 215°F

Materials

- Carbon Steel Construction
- Standard Seals: Buna-N;
Seat: POM; Stem: Teflon;
other seals by special order
- Chrome-plated Steel Ball



Hydraulic oil must flow into valve through port "1".
The valve can only be sealed under one of two conditions:
1) Pressure at the closed port is zero;
2) Pressure at the closed port is lower than at the two open ports.

Model #'s & Dimensional Information

Model #	Thread	psi	Port	A	B	C	D	E	F	G	H	J	K	SW	Weight
DE3L-14-NPT	1/4" NPT	5880	.24	1.27	2.72	1.46	.38	1.78	1.11	4.51	.18	1.02	1.07	.32	1.0 lb
DE3L-38-NPT	3/8" NPT	5880	.39	1.58	2.84	1.65	.38	2.08	1.26	4.51	.26	1.23	1.38	.32	1.5 lbs
DE3L-12-NPT	1/2" NPT	5145	.51	1.58	2.28	1.90	.38	2.08	1.37	4.51	.26	1.46	1.38	.32	2.0 lbs
DE3L-34-NPT	3/4" NPT	5145	.79	2.27	3.74	2.36	.55	2.97	1.89	6.38	.26	1.77	2.01	.39	4.0 lbs
DE3L-1-NPT	1" NPT	5145	.98	2.52	4.45	2.56	.55	3.25	2.24	6.38	.26	2.17	2.27	.39	5.5 lbs
DE3L-114R-NPT <i>Reduced Port</i>	1 1/4" NPT	4500	.98	2.53	4.72	2.56	.55	3.25	2.36	6.38	.26	2.17	2.29	.39	6.0 lbs
DE3L-112R-NPT <i>Reduced Port</i>	1 1/2" NPT	4500	.98	2.53	4.84	2.56	.55	3.25	2.36	6.38	.26	2.17	2.29	.39	6.5 lbs
DB3L-114-NPT	1 1/4" NPT	4500	1.26	3.31	4.73	3.31	.67	4.14	2.96	9.00	-	-	-	.51	10.5 lbs
DB3L-112-NPT	1 1/2" NPT	4500	1.57	3.74	5.14	3.59	.67	4.61	3.35	9.00	-	-	-	.51	14.0 lbs
DB3L-2-NPT	2" NPT	4500	1.97	4.43	5.51	3.94	.67	5.18	4.14	9.00	-	-	-	.51	20.0 lbs

Model #	Thread	psi	Port	A	B	C	D	E	F	G	H	J	K	SW	Weight
DE3L-04 SAE	7/16"-20	5880	.24	1.27	2.72	1.46	.38	1.78	1.11	4.51	.18	1.02	1.07	.32	1.0 lb
DE3L-06 SAE	9/16"-18	5880	.39	1.58	2.84	1.65	.38	2.08	1.26	4.51	.26	1.23	1.38	.32	1.5 lbs
DE3L-08 SAE	3/4"-16	5145	.51	1.58	2.28	1.90	.38	2.08	1.37	4.51	.26	1.46	1.38	.32	2.0 lbs
DE3L-12 SAE	1 1/16"-12	5145	.79	2.27	3.74	2.36	.55	2.97	1.89	6.38	.26	1.77	2.01	.39	4.0 lbs
DE3L-16 SAE	1 5/16"-12	5145	.98	2.52	4.45	2.56	.55	3.25	2.24	6.38	.26	2.17	2.27	.39	5.5 lbs
DE3L-20R SAE <i>Reduced Port</i>	1 5/8"-12	4500	.98	2.53	4.72	2.56	.55	3.25	2.36	6.38	.26	2.17	2.29	.39	6.0 lbs
DE3L-24R SAE <i>Reduced Port</i>	1 7/8"-12	4500	.98	2.53	4.84	2.56	.55	3.25	2.36	6.38	.26	2.17	2.29	.39	6.5 lbs
DB3L-20 SAE	1 5/8"-12	4500	1.26	3.31	4.73	3.31	.67	4.14	2.96	9.00	-	-	-	.51	10.5 lbs
DB3L-24 SAE	1 7/8"-12	4500	1.57	3.74	5.14	3.59	.67	4.61	3.35	9.00	-	-	-	.51	14.0 lbs
DB3L-32 SAE	2 1/2"-12	4500	1.97	4.43	5.51	3.94	.67	5.18	4.14	9.00	-	-	-	.51	20.0 lbs

"L" Port Standard. "T" Port available by special order, with minimum quantity.



FLUID COMPONENTS, INC.

DE3K/DB3K High Pressure Series 3-way Ball Valves

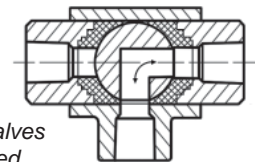
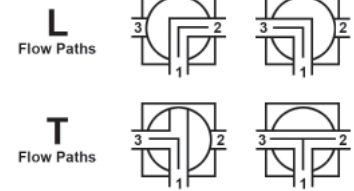
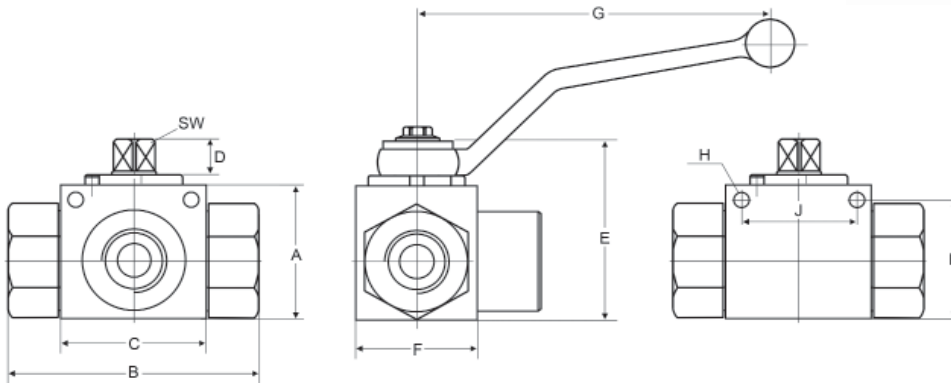
Available by Special Order Only

Features

- Mounting Holes on DE models
- 1/4" - 2" Sizes - NPT and SAE
- Full and Reduced Port
- Blow-Out Proof Stems
- Max Pressure: Up to 5880 psi
- Max Temperature: 215°F

Materials

- Carbon Steel Construction
- Standard Seals: Buna-N;
Seat: POM; Stem: Teflon;
other seals by special order
- Chrome-plated Steel Ball



* Dynamic seals in DE3K series valves allow for higher pressure at closed port without leakage.

Model #'s & Dimensional Information

Model #	Thread	psi	Port	A	B	C	D	E	F	G	H	J	K	SW	Weight
DE3K*-14-NPT	1/4" NPT	5880	.24	1.27	2.72	1.46	.38	1.78	1.11	4.51	.18	1.02	1.07	.32	1.0 lb
DE3K*-38-NPT	3/8" NPT	5880	.39	1.58	2.84	1.65	.38	2.08	1.26	4.51	.26	1.23	1.38	.32	1.5 lbs
DE3K*-12-NPT	1/2" NPT	5145	.51	1.58	2.28	1.90	.38	2.08	1.37	4.51	.26	1.46	1.38	.32	2.0 lbs
DE3K*-34-NPT	3/4" NPT	5145	.79	2.27	3.74	2.36	.55	2.97	1.89	6.38	.26	1.77	2.01	.39	4.0 lbs
DE3K*-1-NPT	1" NPT	5145	.98	2.52	4.45	2.56	.55	3.25	2.24	6.38	.26	2.17	2.27	.39	5.5 lbs
DE3K*-114R-NPT <i>Reduced Port</i>	1 1/4" NPT	4500	.98	2.53	4.72	2.56	.55	3.25	2.36	6.38	.26	2.17	2.29	.39	6.0 lbs
DE3K*-112R-NPT <i>Reduced Port</i>	1 1/2" NPT	4500	.98	2.53	4.84	2.56	.55	3.25	2.36	6.38	.26	2.17	2.29	.39	6.5 lbs

Model #	Thread	psi	Port	A	B	C	D	E	F	G	H	J	K	SW	Weight
DE3K*-04 SAE	7/16"-20	5880	.24	1.27	2.72	1.46	.38	1.78	1.11	4.51	.18	1.02	1.07	.32	1.0 lb
DE3K*-06 SAE	9/16"-18	5880	.39	1.58	2.84	1.65	.38	2.08	1.26	4.51	.26	1.23	1.38	.32	1.5 lbs
DE3K*-08 SAE	3/4"-16	5145	.51	1.58	2.28	1.90	.38	2.08	1.37	4.51	.26	1.46	1.38	.32	2.0 lbs
DE3K*-12 SAE	1 1/16"-12	5145	.79	2.27	3.74	2.36	.55	2.97	1.89	6.38	.26	1.77	2.01	.39	4.0 lbs
DE3K*-16 SAE	1 5/16"-12	5145	.98	2.52	4.45	2.56	.55	3.25	2.24	6.38	.26	2.17	2.27	.39	5.5 lbs
DE3K*-20R SAE <i>Reduced Port</i>	1 5/8"-12	4500	.98	2.53	4.72	2.56	.55	3.25	2.36	6.38	.26	2.17	2.29	.39	6.0 lbs
DE3K*-24R SAE <i>Reduced Port</i>	1 7/8"-12	4500	.98	2.53	4.84	2.56	.55	3.25	2.36	6.38	.26	2.17	2.29	.39	6.5 lbs

* "L" and "T" Ports available. Minimum quantity may apply.

GAUGES & ACCESSORIES

HYDRAULIC PUMPS

HYDRAULIC MOTORS

APPENDIX



FLUID COMPONENTS, INC.

Ball Valve Accessories

Ball Valve Locking Kits

Model #'s & Descriptions

Model #	Description
DLK-S	"U" Locking Kit for DE Models: 1/4" - 1/2" Full Port Sizes
DLK-M	"U" Locking Kit for DE Models: 3/4" - 1" Full Ports & 1 1/4" - 1 1/2" Reduced Ports
DLK-L	"U" Locking Kit for DB Models: 1 1/4" - 2" Full Ports Sizes
LK-S	Flat Locking Kit for DE Models: 1/4" - 1/2" Full Port Sizes
LK-M	Flat Locking Kit for DE Models: 3/4" - 1" Full Ports & 1 1/4" - 1 1/2" Reduced Ports
LK-L	Flat Locking Kit for DB Models: 1 1/4" - 2" Full Port Sizes



"U" Style



Flat Style

Not sure how to install your locking kit?

Visit: <https://www.youtube.com/watch?v=YjUedUGMxYM> to watch a short video demonstration on installing our "U" style locking kits.

Ball Valve Handles

Model #'s & Descriptions

Model #	Description	Length
SW9 - Sm. Silver Handle (DE 1/4" - 1/2")	SW9 Small Silver Handle for DE2 / DE3 1/4" - 1/2" Full Port Sizes	4.51"
SW14 - Med. Silver Handle (DE 3/4"-1 1/2")	SW14 Medium Silver Handle for DE2 / DE3 3/4" - 1" Full Port Sizes & 1 1/4" - 1 1/2" Reduced Ports	6.38"
SW17 - Lg. Silver Handle (DB 1 1/4"-2")	SW17 Large Silver Handle for DB2 / DB3 1 1/4" - 2" Full Port Sizes	9.00"

Seal Options

All Ball Valves come standard with Buna-N seals. Viton and other seal options available by special order. Contact Dynamic for options and availability.