



FLUID COMPONENTS, INC.

PDSS Series Gauges

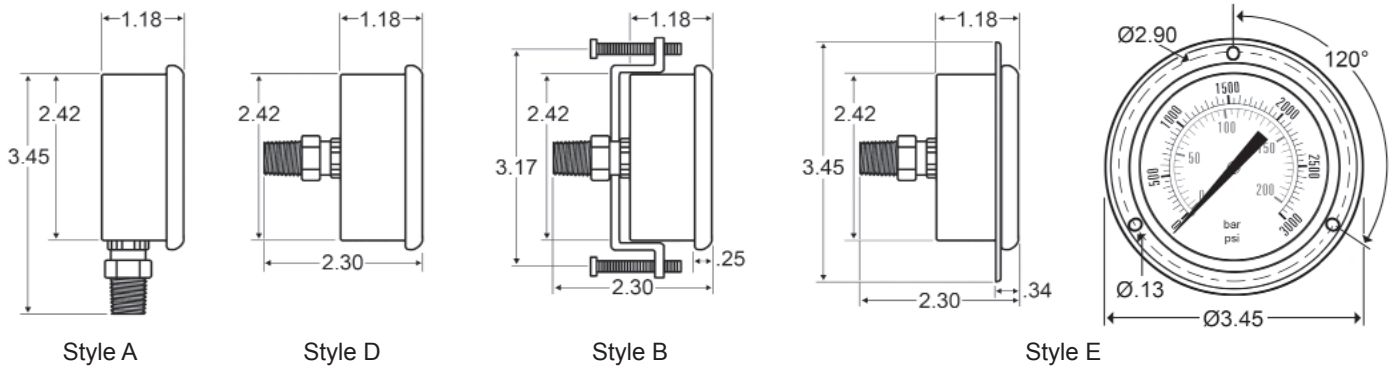
2 1/2" • All Stainless Steel Gauges

Features

- 304 Stainless Steel Case
- 316 Stainless Steel Connection
- 316 Stainless Steel Bourdon Tube
- Built-in Snubber
- Polycarbonate Lens
- Liquid-Filled & Dry Options
- Ambient Temp: -13° F to 150°F
- Max. Process Temp: 750°F
- Range: Vacuum to 15,000 psi
- Dual Scale: psi & bar
- Accuracy: ± 1.6% FSD
- Certificate of Accuracy Available (see page 15 for details)



Installation Data



1/4" NPT is the standard connection for all 2 1/2" PDSS gauges.

Ordering Example: Model: **PDSS** Size: **1** Type: **P** Range: **040** Style: **A** Options: **001**

Model	Size	Type	Pressure Range	Style	Options
PDSS = All Stainless Steel Gauges	1 = 2 1/2" dia.	C = Compound V = Vacuum P = Pressure	002 = 30" Hg -30 psi** 000 = 30" Hg - 0 psi 001 = 15 psi 100 = 1500 psi 002 = 30 psi 140 = 2000 psi 004 = 60 psi 210 = 3000 psi 007 = 100 psi 280 = 4000 psi 010 = 160 psi 350 = 5000 psi 015 = 200 psi 420 = 6000 psi 020 = 300 psi 700 = 10,000 psi 040 = 600 psi 800 = 15,000 psi 070 = 1000 psi	A = Stem B = Panel Clamp D = Center Back E = Panel Flange	001 = Glycerine-filled 002 = Dry*

* Special Order
**Additional compound ranges may be available by special order.

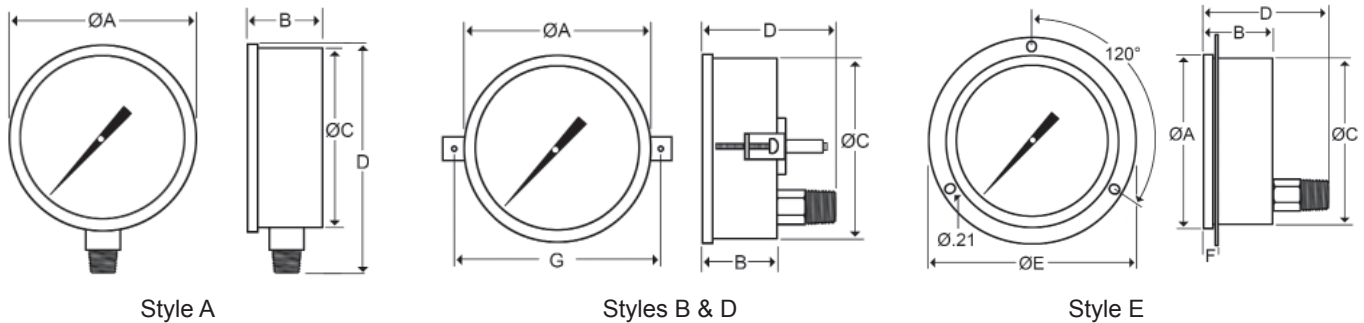
PDSS Series Gauges 4" • All Stainless Steel Gauges

Features

- 304 Stainless Steel Case
- 316 Stainless Steel Connection
- 316 Stainless Steel Bourdon Tube
- Built-in Snubber
- Polycarbonate Lens
- Liquid-Filled & Dry Options
- Range: Vacuum to 30,000 psi
- Single Scale: psi
- Ambient Temp: -13° F to 150°F
- Max. Process Temp: 750°F
- Accuracy: ± 1% FSD
- Certificate of Accuracy Available
(see page 15 for details)



Installation Data



Style	A	B	C	D*	E	F	G
A - Stem	4.28"	1.84"	3.87"	5.30" (1/4" NPT) 5.36" (1/2" NPT)	-	-	-
B - Panel Clamp	4.28"	1.87"	3.87"	3.10" (1/4" NPT) 3.20" (1/2" NPT)	-	-	5.00"
D - Lower Back	4.28"	1.87"	3.87"	3.10" (1/4" NPT) 3.20" (1/2" NPT)	-	-	-
E - Panel Flange	4.28"	1.87"	3.87"	3.10" (1/4" NPT) 3.20" (1/2" NPT)	5.13"	.27"	-

*1/4" NPT is standard connection for 600 psi and below; 1/2" NPT is standard for 1000 psi and above

Ordering Example: **PDSS** - **2** **P** - **070** **D** - **001**

Model	Size	Type	Pressure Range	Style	Options
PDSS =	2 = 4" dia.	C = Compound	002 = 30" Hg -30 psi**	A = Stem	001 = Glycerine-filled
All Stainless	3* = 6" dia.	V = Vacuum	000 = 30" Hg - 0 psi	B = Panel Clamp	002* = Dry
Steel Gauges		P = Pressure	001 = 15 psi	D = Lower Back	
			002 = 30 psi	E = Panel Flange	
			004 = 60 psi		
			007 = 100 psi		
			010 = 160 psi		
			015 = 200 psi		
			020 = 300 psi		
			040 = 600 psi		
			070 = 1000 psi		
			100 = 1500 psi		
			140 = 2000 psi		
			210 = 3000 psi		
			280 = 4000 psi		
			350 = 5000 psi		
			420 = 6000 psi		
			700 = 10,000 psi		
			800 = 15,000 psi		
			900 = 20,000 psi		
			950 = 30,000 psi		

* Special Order

**Additional compound ranges may be available by special order.