

# VP SERIES

## THREADED FLAT FACE COUPLERS

The VP Series Auto-Lock Sleeve Flat Face Coupler is the most popular solution for high residual pressure. With an auto-lock sleeve and the ability to connect/disconnect with residual pressure, the VP series provides positive secondary retention in hydraulic circuit applications subject to high-pressure impulses and circuits which experience high residual or trapped pressure in a line.

Protective Caps & Plugs – page 63



### FEATURES

**Size range:** 1/4" thru 1 1/2"

**Port options:** NPT, SAE, BSP, Flange Ports

**Connect/disconnect** up to 25 MPa/3625 psi residual pressure

**Working pressure:** 40-60 MPa/5800-8700 psi range

- Safety auto-lock sleeve provides positive secondary retention

### APPLICATIONS

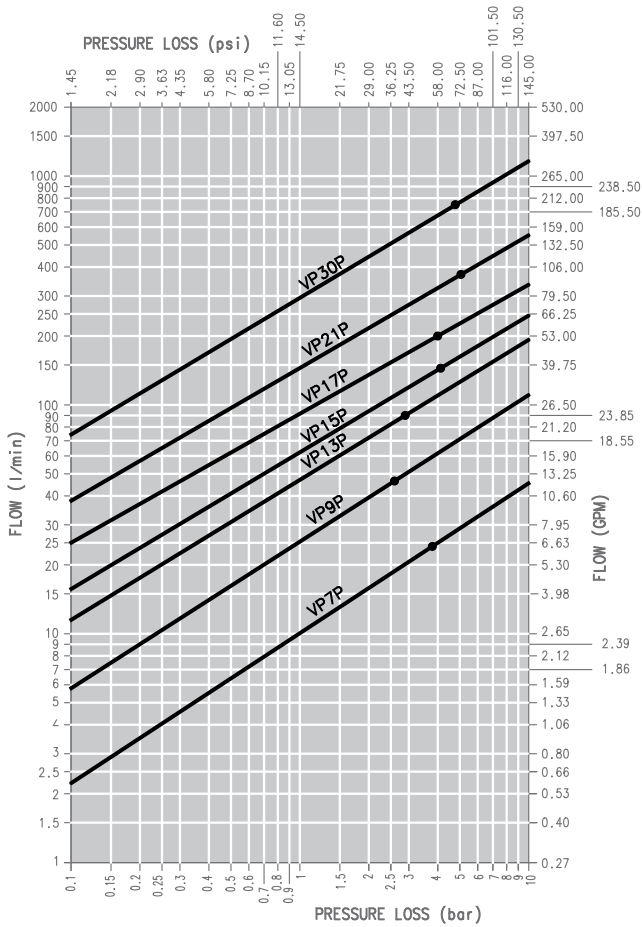
All construction equipment applications with higher pressure requirements or connection/disconnection issues with tool attachments under residual pressure

- All large equipment needing junction points in circuit: cranes, drilling machines, oil field, well head drives, porta-power
- Excavators w/auxiliary line for attachments: thumbs, grapples, hammers



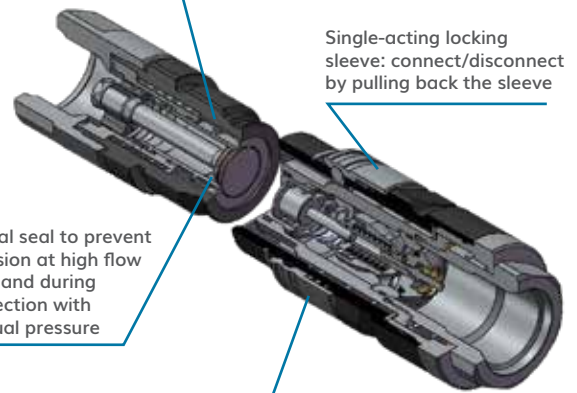


## PRESSURE DROP



OIL = ISO VG32, TEMP = 40C, VISCOSITY = 28.8-35.2 MM<sup>2</sup>/S

Screw connection system eliminates premature wear



Single-acting locking sleeve: connect/disconnect by pulling back the sleeve

Special seal to prevent extrusion at high flow rates and during connection with residual pressure

Automatic lock to provide secondary retention

## PERFORMANCE

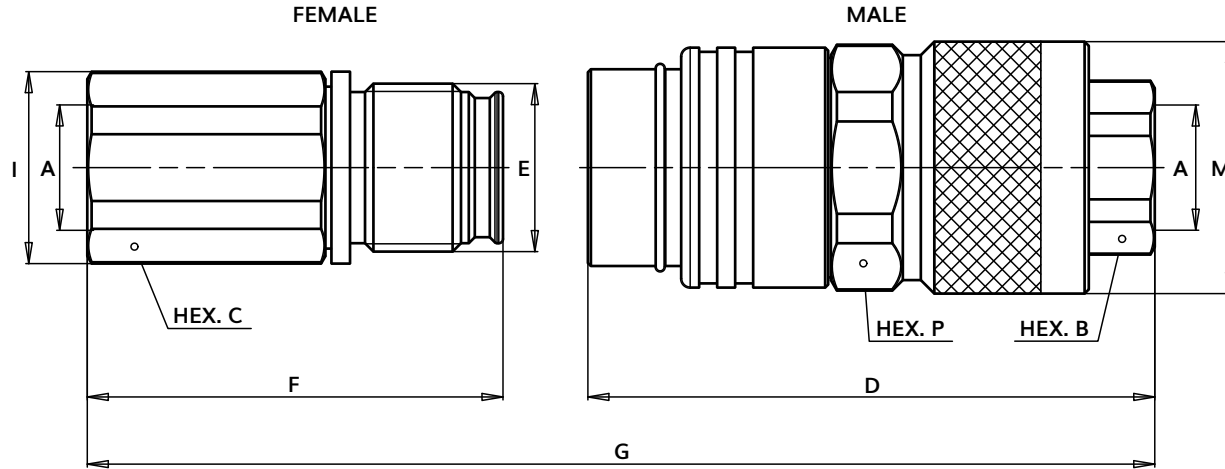
DESCRIPTION	SIZE	MAX. OPERATING PRESSURE COUPLED		COUPLED		BURST PRESSURE				MAX. RESIDUAL PRESSURE DURING CONNECTION		SPILLAGE*
		MPa	psi	MPa	psi	MALE		FEMALE		MPa	psi	
VP7	1/4	60	8700	150	21750	150	21750	126	18270	30	4360	0.012
VP9P	3/8	55	7975	140	20300	140	20300	100	14500	25	3625	0.040
VP13P	1/2	55	7975	140	20300	140	20300	100	14500	25	3625	0.025
VP15P	3/4	55	7975	140	20300	140	20300	100	14500	25	3625	0.033
VP17P	1	50	7250	125	18125	125	18125	100	14500	25	3625	0.018
VP21P	1 1/4	47	6815	120	17400	120	17400	80	11600	25	3625	0.060
VP30P	1 1/2	40	5800	110	15950	110	15950	80	11600	25	3625	0.200

\* Spillage is an indicative value of the fluid loss per couple-uncouple cycle.

# VP SERIES

## THREADED FLAT FACE COUPLERS

### SIZE DIAGRAM



DESCRIPTION	BODY SIZE	A	UNIT	B	C	D	E	F	G	I	M	P	UNIT	WEIGHT	
														MALE	FEMALE
VP7	1/4	1/4	mm	22.0	27.0	85.3	M24X2	52.8	126.6	29.0	35.0	32.0	kg	0.395	0.165
			inch	0.87	1.06	3.36		2.08	4.98	1.14	1.38	1.26		lb	0.87
VP9P	3/8	3/8	mm	27.0	30.0	94.5	M28X2	64.3	142.3	32.0	42.0	38.0	kg	0.595	0.240
			inch	1.06	1.18	3.72		2.53	5.60	1.26	1.65	1.50		lb	1.31
VP9P	3/8	1/2	mm	27.0	30.0	94.5	M28X2	69.3	147.3	32.0	42.0	38.0	kg	0.575	0.245
			inch	1.06	1.18	3.72		2.73	5.80	1.26	1.65	1.50		lb	1.27
VP13P	1/2	1/2	mm	36.0	36.0	110.0	M36X3	76.2	167.9	40.0	49.0	45.0	kg	0.980	0.425
			inch	1.42	1.42	4.33		3.00	6.61	1.57	1.93	1.77		lb	2.16
VP13P	1/2	3/4	mm	36.0	36.0	110.0	M36X3	83.2	174.9	40.0	49.0	45.0	kg	0.945	0.440
			inch	1.42	1.42	4.33		3.28	6.89	1.57	1.93	1.77		lb	2.08
VP15P	3/4	3/4	mm	36.0	41.0	110.0	M39X3	83.4	174.9	44.8	52.0	48.0	kg	1.065	0.595
			inch	1.42	1.61	4.33		3.28	6.89	1.76	2.05	1.89		lb	2.35
VP17P	1	3/4	mm	46.0	46.0	127.1	M45X3	95.0	199.5	49.8	60.0	55.0	kg	1.635	0.955
			inch	1.81	1.81	5.00		3.74	7.85	1.96	2.36	2.17		lb	3.60
VP17P	1	1	mm	46.0	46.0	127.1	M45X3	98.0	202.5	49.8	60.0	55.0	kg	1.600	0.915
			inch	1.81	1.81	5.00		3.86	7.97	1.96	2.36	2.17		lb	3.53
VP21P	1 1/4	1	mm	55.0	55.0	137.0	M55X3	104.0	213.8	59.8	76.0	70.0	kg	2.610	1.495
			inch	2.17	2.17	5.39		4.09	8.42	2.35	2.99	2.76		lb	5.75
VP21P	1 1/4	1 1/4	mm	55.0	55.0	137.0	M55X3	108.3	218.1	59.8	76.0	70.0	kg	2.530	1.430
			inch	2.17	2.17	5.39		4.26	8.59	2.35	2.99	2.76		lb	5.58
VP30P	1 1/2	1 1/4	mm	65.0	65.0	174.7	M72X4	132.2	271.3	85.0	94.0	85.0	kg	5.220	3.030
			inch	2.56	2.56	6.88		5.20	10.68	3.35	3.70	3.35		lb	11.51
VP30P	1 1/2	1 1/2	mm	65.0	65.0	174.7	M72X4	132.2	271.3	85.0	94.0	85.0	kg	5.100	2.930
			inch	2.56	2.56	6.88		5.20	10.68	3.35	3.70	3.35		lb	11.24



**VP NPT and SAE Thread Flat Face Thread Coupling with High Residual Pressure | Auto Lock**

PART	BODY SIZE	PORT SIZE	THREAD TYPE	ORDER CODE	DESCRIPTION
<b>VP NPT THREAD</b>					
COUPLER	1/4	1/4	NPT	801901004	F. VP7 1/4 NPT
NIPPLE	1/4	1/4	NPT	801901005	M. VP7 1/4 NPT
COUPLER	3/8	3/8	NPT	801901010	F. VP9P 3/8 NPT
NIPPLE	3/8	3/8	NPT	801901011	M. VP9P 3/8 NPT
COUPLER	3/8	1/2	NPT	801901000	F. VP9P 1/2 NPT
NIPPLE	3/8	1/2	NPT	801901001	M. VP9P 1/2 NPT
COUPLER	1/2	1/2	NPT	801901006	F. VP13P 1/2 NPT
NIPPLE	1/2	1/2	NPT	801901007	M. VP13P 1/2 NPT
COUPLER	1/2	3/4	NPT	801901008	F. VP13P 3/4 NPT
NIPPLE	1/2	3/4	NPT	801901009	M. VP13P 3/4 NPT
COUPLER	3/4	3/4	NPT	801901002	F. VP15P 3/4 NPT
NIPPLE	3/4	3/4	NPT	801901003	M. VP15P 3/4 NPT
COUPLER	1	1	NPT	801901012	F. VP17P 1 NPT
NIPPLE	1	1	NPT	801901013	M. VP17P 1 NPT
COUPLER	1 1/4	1 1/4	NPT	801901014	F. VP21P 1 1/4 NPT
NIPPLE	1 1/4	1 1/4	NPT	801901015	M. VP21P 1 1/4 NPT
COUPLER	1 1/2	1 1/2	NPT	801901016	F. VP30P 1 1/2 NPT
NIPPLE	1 1/2	1 1/2	NPT	801901017	M. VP30P 1 1/2 NPT
<b>VP SAE THREAD</b>					
COUPLER	3/8	3/8	SAE	807304020	F. VP9P 3/8 SAE
NIPPLE	3/8	3/8	SAE	807304021	M. VP9P 3/8 SAE
COUPLER	3/8	1/2	SAE	807304002	F. VP9P 1/2 SAE
NIPPLE	3/8	1/2	SAE	807304003	M. VP9P 1/2 SAE
COUPLER	1/2	1/2	SAE	807304022	F. VP13P 1/2 SAE
NIPPLE	1/2	1/2	SAE	807304023	M. VP13P 1/2 SAE
COUPLER	1/2	3/4	SAE	807304008	F. VP13P 3/4 SAE
NIPPLE	1/2	3/4	SAE	807304009	M. VP13P 3/4 SAE
COUPLER	3/4	3/4	SAE	807304010	F. VP15P 3/4 SAE
NIPPLE	3/4	3/4	SAE	807304011	M. VP15P 3/4 SAE
COUPLER	1	1	SAE	807304012	F. VP17P 1 SAE
NIPPLE	1	1	SAE	807304013	M. VP17P 1 SAE
COUPLER	1 1/4	1 1/4	SAE	807304014	F. VP21P 1 1/4 SAE
NIPPLE	1 1/4	1 1/4	SAE	807304015	M. VP21P 1 1/4 SAE
COUPLER	1 1/2	1 1/2	SAE	807304016	F. VP30P 1 1/2 SAE
NIPPLE	1 1/2	1 1/2	SAE	807304017	M. VP30P 1 1/2 SAE
<b>VP FLANGE PORT</b>					
COUPLER	1 1/2	1 1/2	FPU	807324018	F. VP30 1 1/2 FPU CODE 62
NIPPLE	1 1/2	1 1/2	FPU	807324019	M. VP30 1 1/2 FPU CODE 62



Coupler



Nipple

THREADED FLAT FACE COUPLERS

**VP Series Accessories Aluminum | Coupler Dust Cap | Coupler Dust Plug**

SIZE	PART	ORDER CODE	DESCRIPTION	PART	ORDER CODE	DESCRIPTION
<b>VP COUPLER DUST PLUG</b>			<b>VP COUPLER DUST CAP</b>			
1/4	PLUG	815300001	CAP M. VP7R	CAP	815300000	CAP F. VP7R
3/8	PLUG	815300003	CAP M. VP9R	CAP	815300002	CAP F. VP9R
1/2	PLUG	815300005	CAP M. VP13R	CAP	815300004	CAP F. VP13R
3/4	PLUG	815300007	CAP M. VP15R	CAP	815300006	CAP F. VP15R
1	PLUG	815300009	CAP M. VP17R	CAP	815300008	CAP F. VP17R
1 1/4	PLUG	815300011	CAP M. VP21R	CAP	815300010	CAP F. VP21R
1 1/2	PLUG	815300013	CAP M. VP30R	CAP	815300012	CAP F. VP30R



Plug



Cap